



Engineering Services
 Contract ES-22-24
 File: 570.02-1028

CRAVEN AVENUE AREA & ALDRIDGE CRESCENT MINOR RECONSTRUCTION

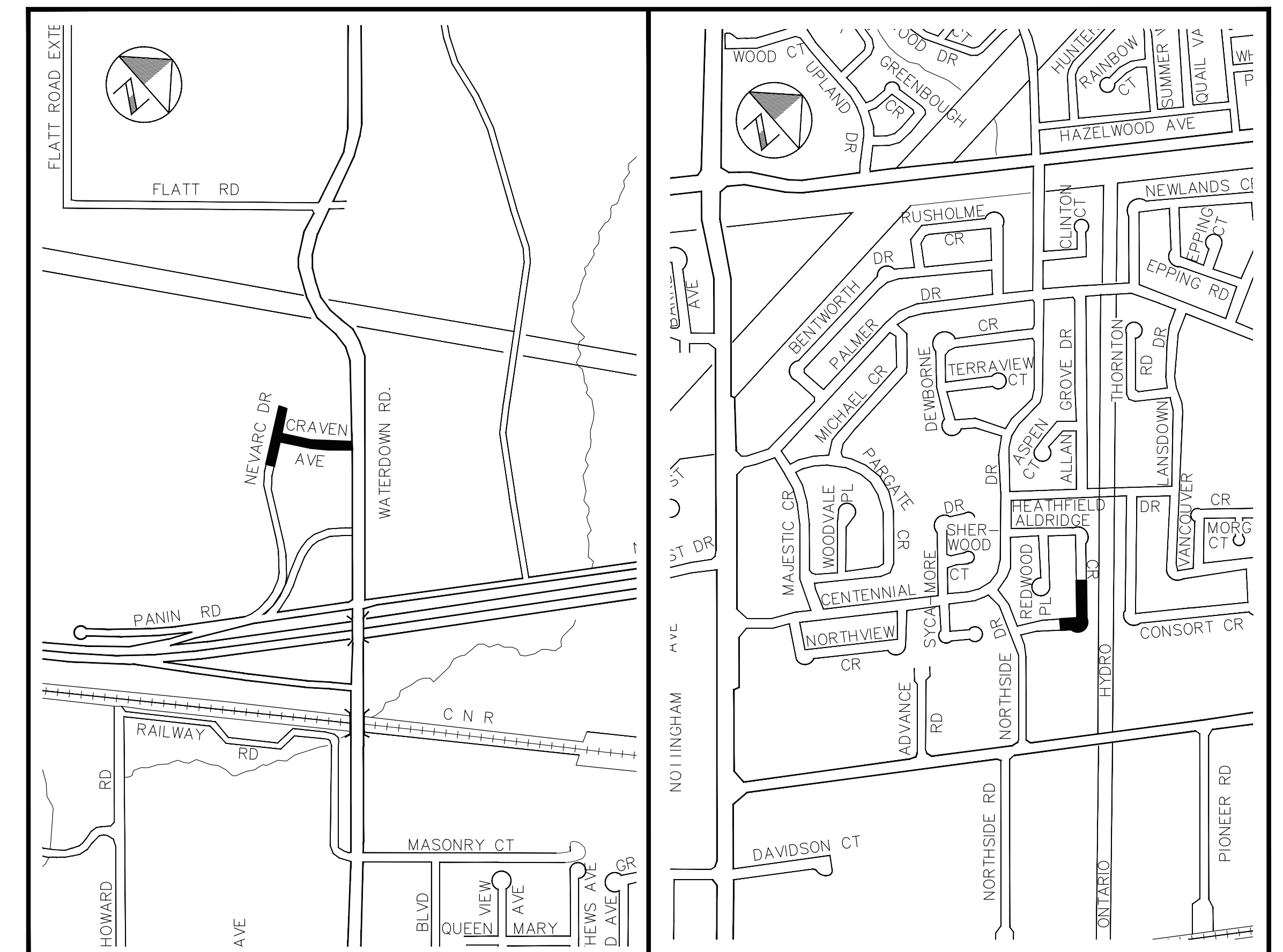
Drawing Index

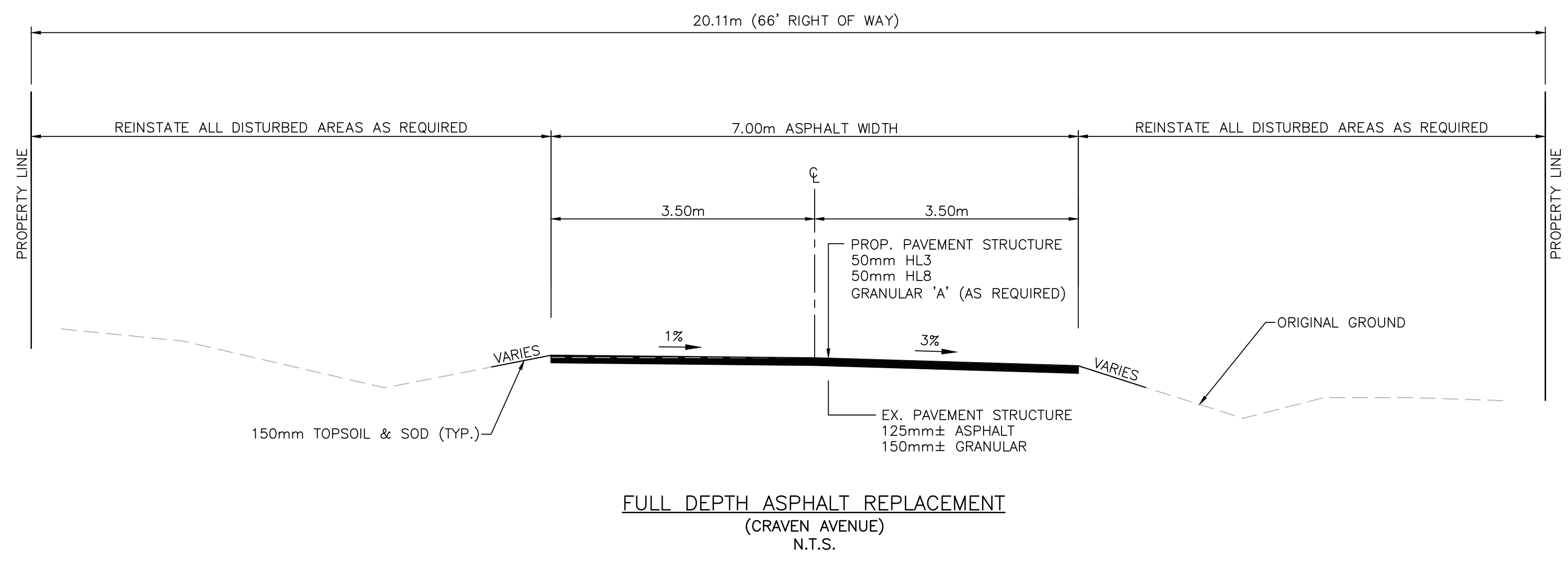
Description

- CRAVEN AVENUE & NEVARC DRIVE – TYPICAL SECTIONS AND DETAILS
- CRAVEN AVENUE – PROPOSED CONSTRUCTION
- NEVARC DRIVE – PROPOSED CONSTRUCTION
- CRAVEN AVENUE & NEVARC DRIVE – PAVEMENT ELEVATIONS
- CRAVEN AVENUE & NEVARC DRIVE – PAVEMENT MARKINGS & SIGNS
- ALDRIDGE CRESCENT – PROPOSED CONSTRUCTION

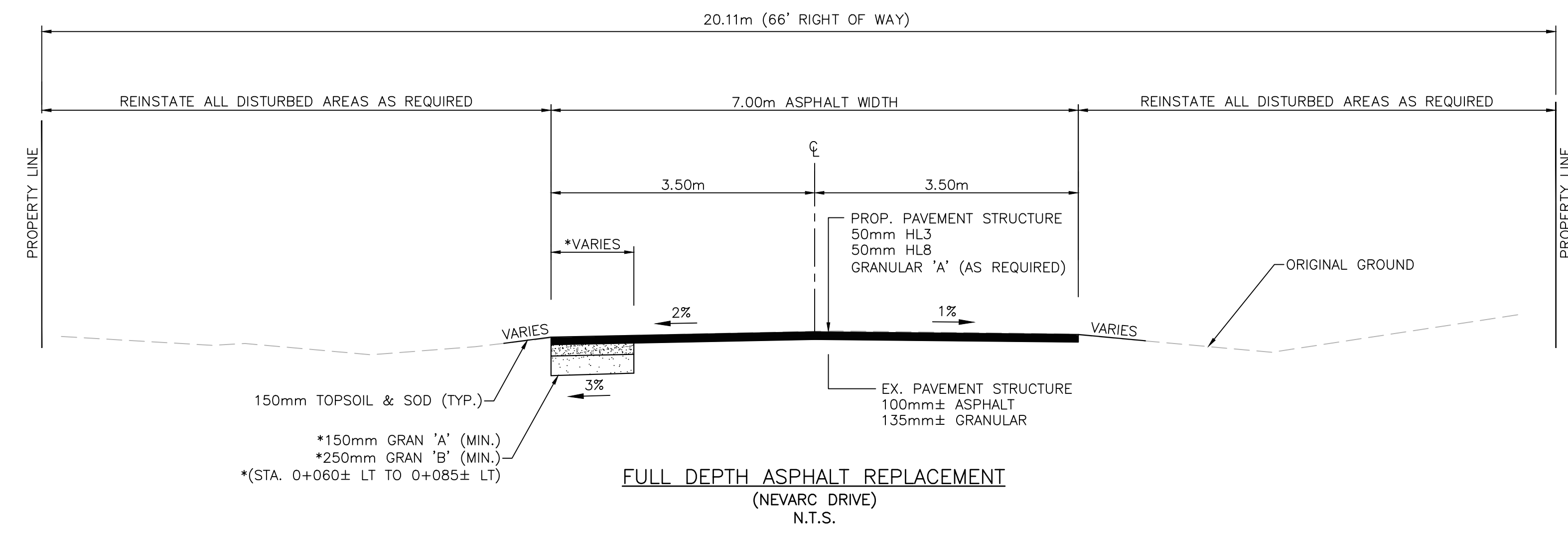
Drawing Numbers

- MMS-332 SHEET 1
- MC-92 SHEET 2-3
- MN-26 SHEET 4
- MGR-74 SHEET 5
- TC-98 SHEET 6
- MA-45 SHEET 7

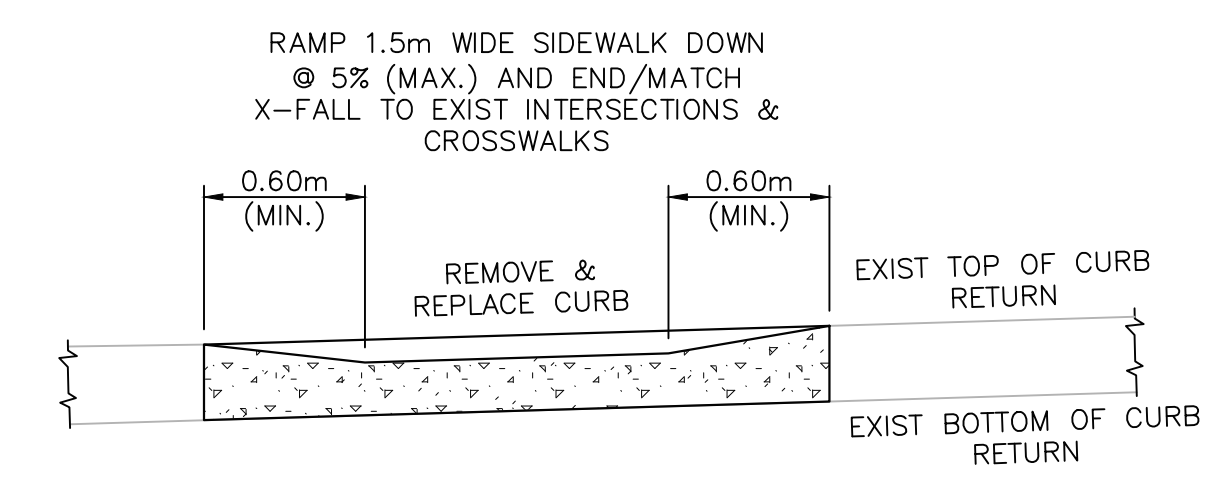
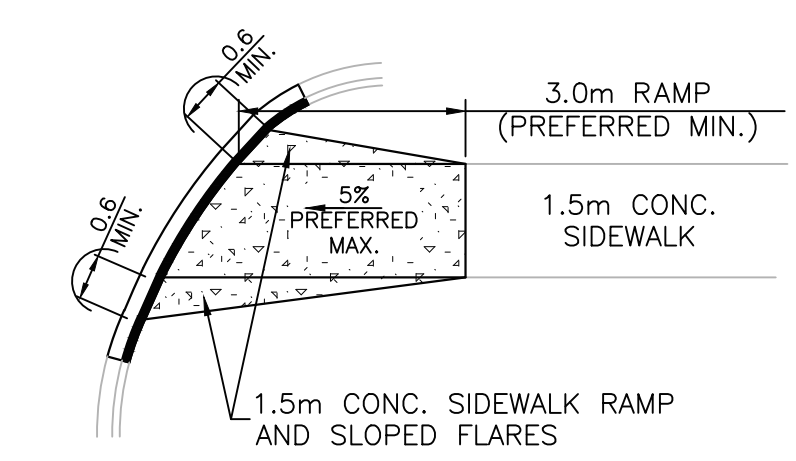
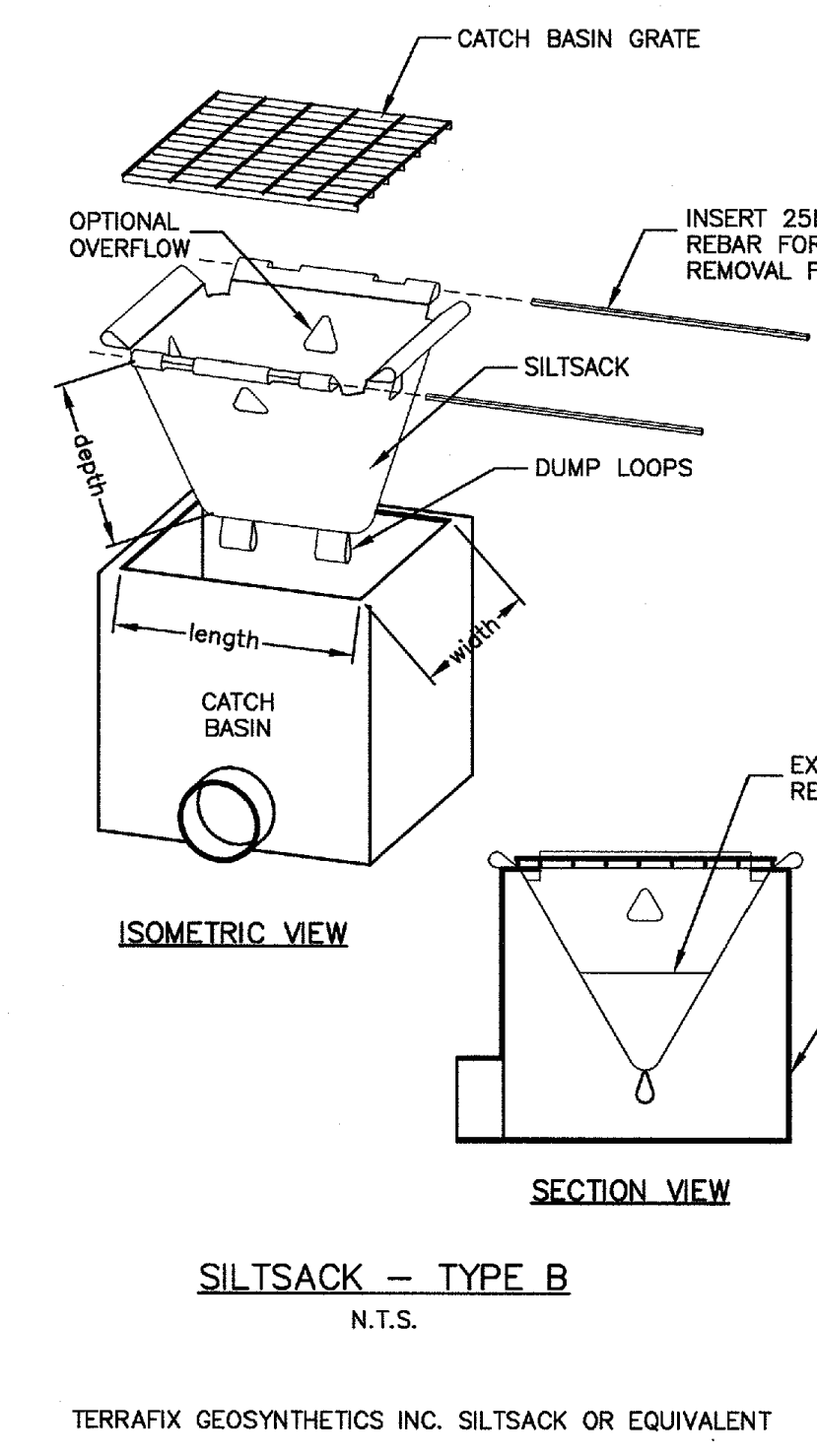




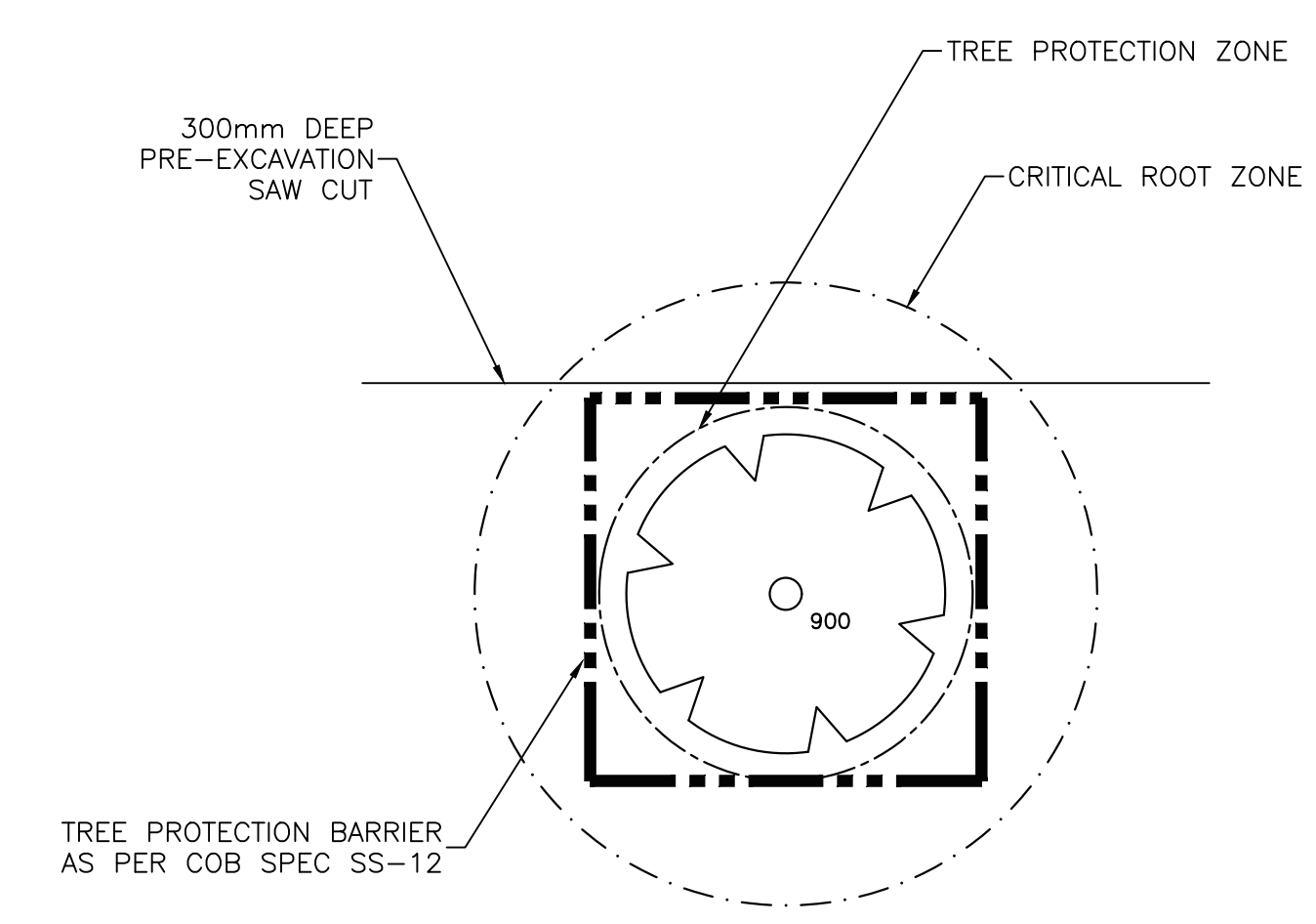
FULL DEPTH ASPHALT REPLACEMENT
(CRAVEN AVENUE)
N.T.S.



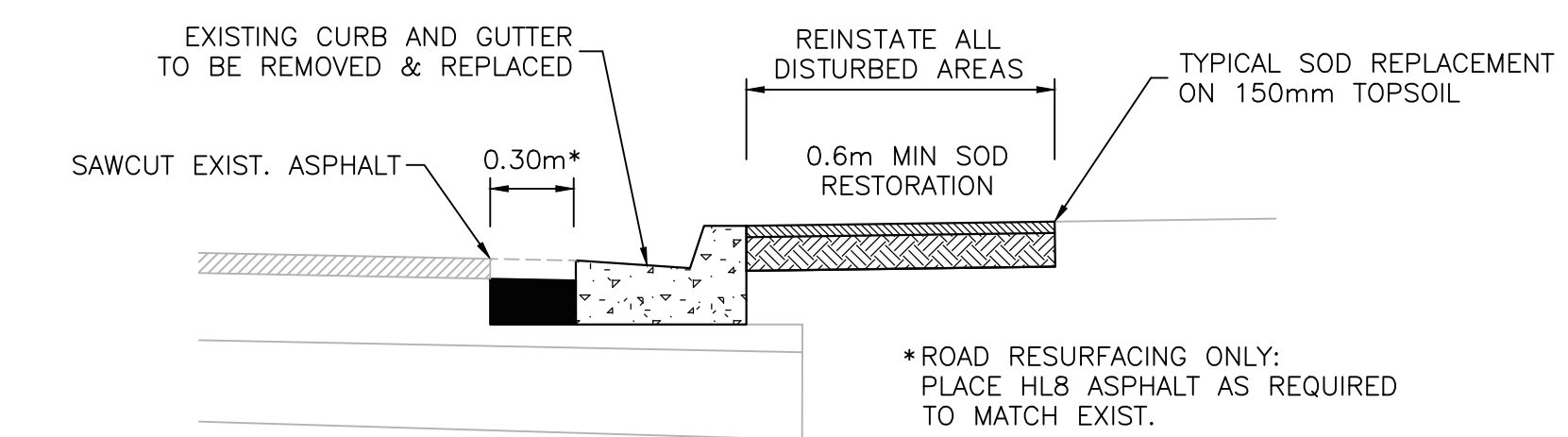
FULL DEPTH ASPHALT REPLACEMENT
(NEVARC DRIVE)
N.T.S.



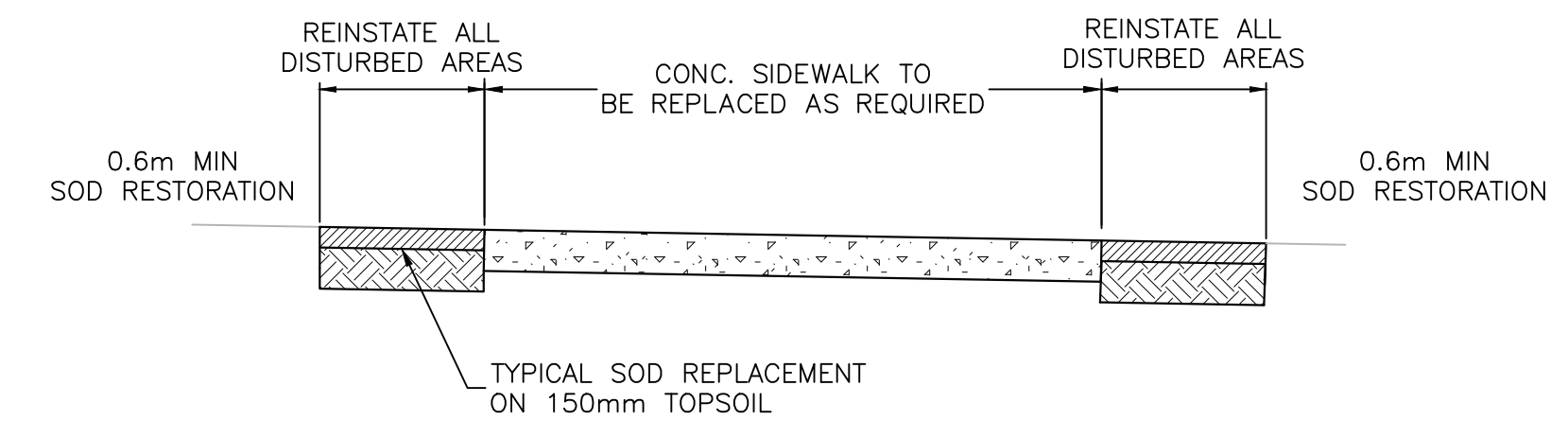
TYPICAL SIDEWALK DEPRESSION SECTION
AT EXISTING INTERSECTIONS & CROSSWALKS
NTS



TREE PROTECTION DETAIL
AS PER CITY OF BURLINGTON SS-12



TYPICAL CURB REPLACEMENT
NTS



TYPICAL SIDEWALK REPLACEMENT DETAIL
NTS

GENERAL NOTES:

1. ALL WORKS SHALL CONFORM TO THE LATEST REVISIONS OF THE CITY OF BURLINGTON STANDARDS, ONTARIO PROVINCIAL STANDARD DRAWINGS AND SPECIFICATIONS.
2. ALTERNATE MATERIALS MAY BE ACCEPTED PROVIDED THAT WRITTEN APPROVAL HAS FIRST BEEN OBTAINED FROM THE CONTRACT ADMINISTRATOR.
3. DRIVEWAY MATERIAL IS ASPHALT UNLESS OTHERWISE SPECIFIED. ASPHALT FOR RESIDENTIAL DRIVEWAYS TO CONSIST OF 50mm HL3F. ASPHALT FOR COMMERCIAL DRIVEWAYS TO CONSIST OF 40mm OF HL3 AND 50mm OF HL8.
4. THE LOCATION OF ALL EXISTING STORM SEWERS, WATERMANS, SANITARY SEWERS, UTILITIES AND SERVICES ARE APPROXIMATE. THE CONTRACTOR MUST VERIFY THE LOCATION, SIZE AND ELEVATION IN THE FIELD PRIOR TO CONSTRUCTION.
5. DO NOT EXCAVATE WITHIN TWO (2) METRES OF EXISTING HYDRO POLES, MANHOLES, SWITCHING CUBICLES, PEDESTALS OR ANCHORS. BURLINGTON HYDRO IS TO BE CONTACTED OTHERWISE.

ROADS

1. ALL GRANULAR ROAD BASE MATERIAL SHALL BE COMPACTED TO 100% SPMD IN LIFTS NOT EXCEEDING 100mm THICKNESS. ASPHALT SHALL BE COMPACTED TO A MINIMUM 97% MARSHALL BULK DENSITY.
2. ALL CURB AND GUTTER SHALL BE OPSD 600.040 UNLESS OTHERWISE NOTED.
3. CONCRETE SIDEWALK SHALL BE CONSTRUCTED IN ACCORDANCE WITH CITY OF BURLINGTON STD S-121, S-123 AND S-125A.
4. ALL EXISTING SIGNAGE SHALL BE MAINTAINED IN PLACE DURING CONSTRUCTION. SIGNAGE THAT CONFLICTS WITH PROPOSED WORKS SHALL BE TEMPORARILY RELOCATED TO SUIT.
5. ALL EXISTING PAVEMENT MARKINGS SHALL BE REINSTATED UPON COMPLETION OF ROADWORKS.

2	04/08/22	J.C.	ISSUED FOR CONSTRUCTION
1	31/05/22	J.C.	ISSUED FOR TENDER
No.	DATE	BY	REVISIONS
DESIGN	J.C.	CHECKED	C.O.
DATE NOVEMBER 2021			
SCALE NOT TO SCALE			
APPROVALS		STAMP	
MUNICIPAL			
DIRECTOR OF ENGINEERING SERVICES			
DATE			

DRAWING NOT TO SCALE UNLESS PLOTTED ON 24" X 36" PAPER



TITLE
CRAVEN AVE. & NEVARC DR.
Road Reconstruction
Typical Sections and Details

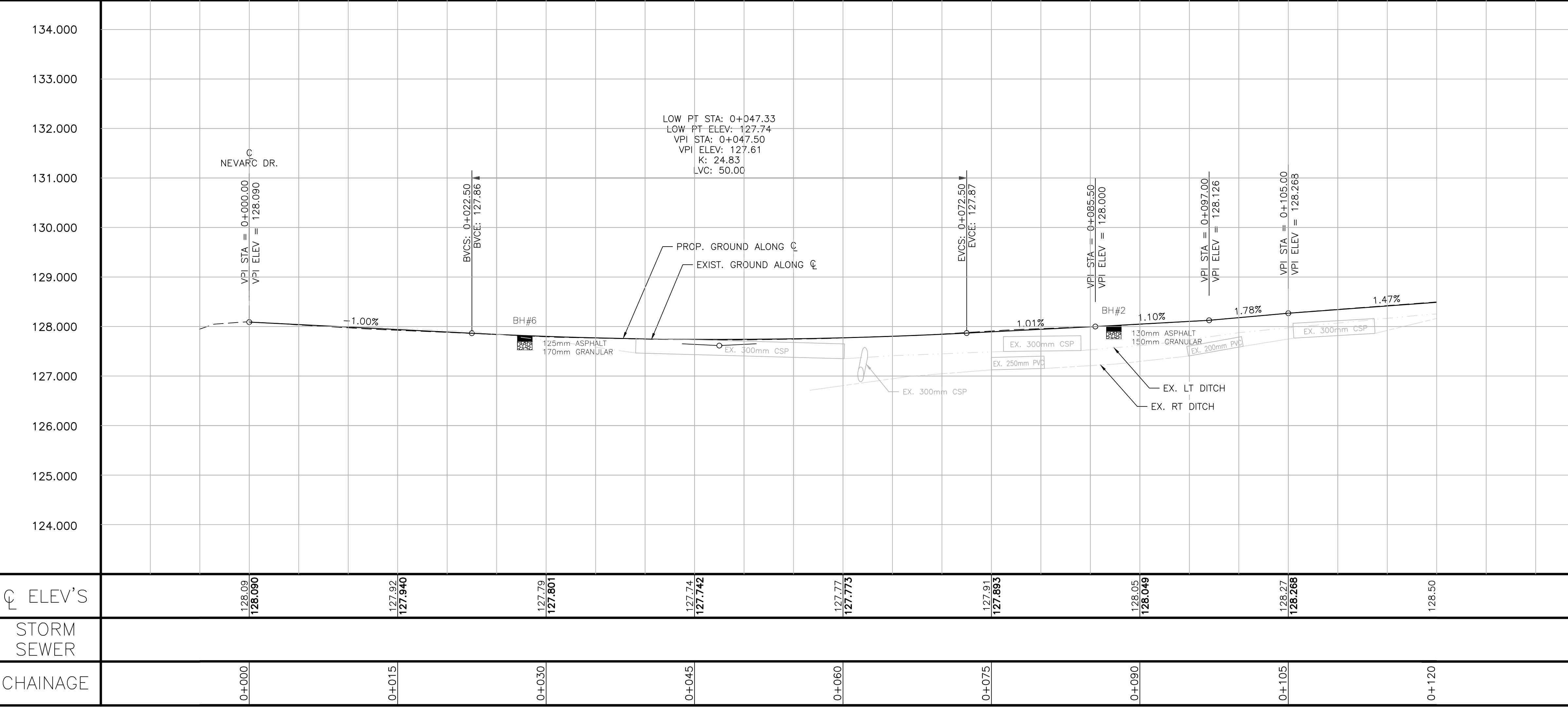
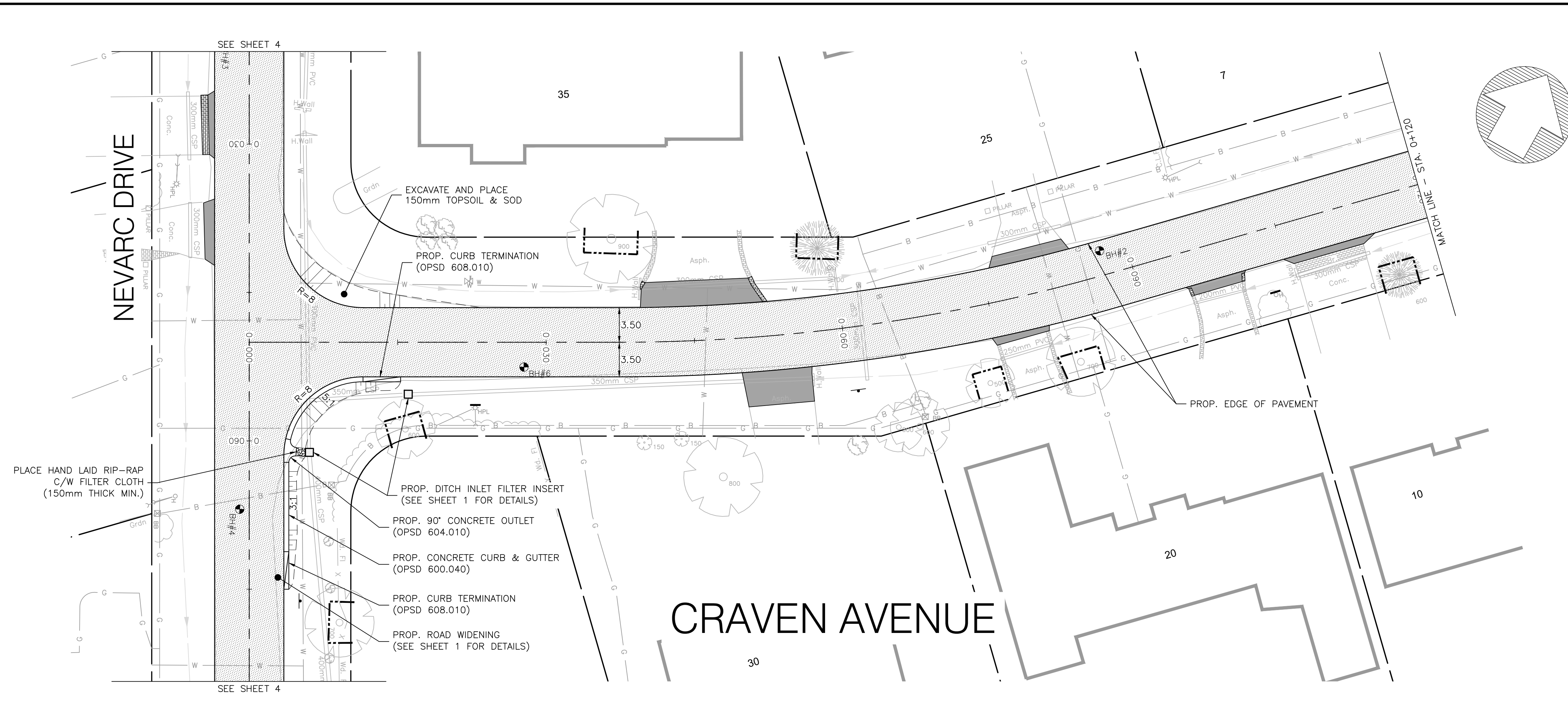
MUNICIPAL DRAWING NO. MMS-332	CAD FILENAME M:\2022 Contracts\Craven & Nevarc\dwg\Contract\ES-22-24 Craven Ave.dwg
CONTRACT NO. ES-22-24	SHEET 1 OF 7

AutoCAD drawings: M:\2022 Contracts\Craven & Nevarc\dwg\Contract\ES-22-24 Craven Ave.dwg
Last saved by: j.c.

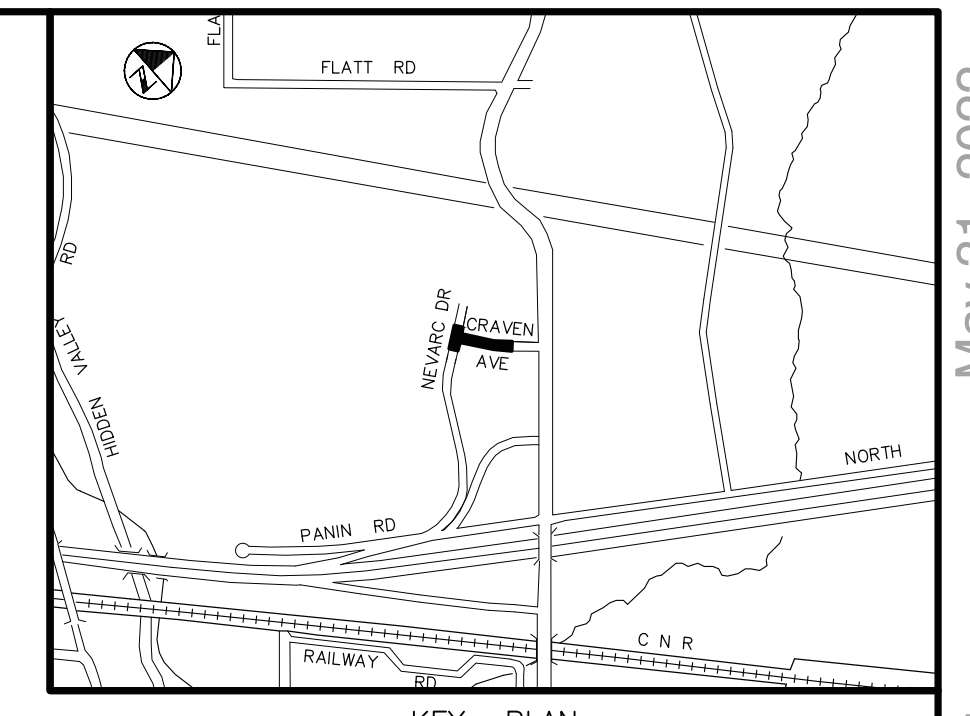
May 31, 2022
Aug 04, 2022

Issued for Tender:
Issued for Construction:

CRAVEN AVENUE AREA & ALDRIDGE CRESCENT MINOR RECONSTRUCTION
ES-22-24



⊕ ELEV'S	128.09 128.090	127.92 127.940	127.79 127.801	127.74 127.742	127.77 127.773	127.91 127.893	128.05 128.049	128.27 128.268	128.50	⊕ ELEV'S
STORM SEWER										STORM SEWER
CHAINAGE	0+000	0+015	0+030	0+045	0+060	0+075	0+090	0+105	0+120	CHAINAGE



LEGEND

ALL EXISTING WATER VALVES, CATCHBASINS & MAINTENANCE COVERS ARE TO BE ADJUSTED AS REQUIRED.

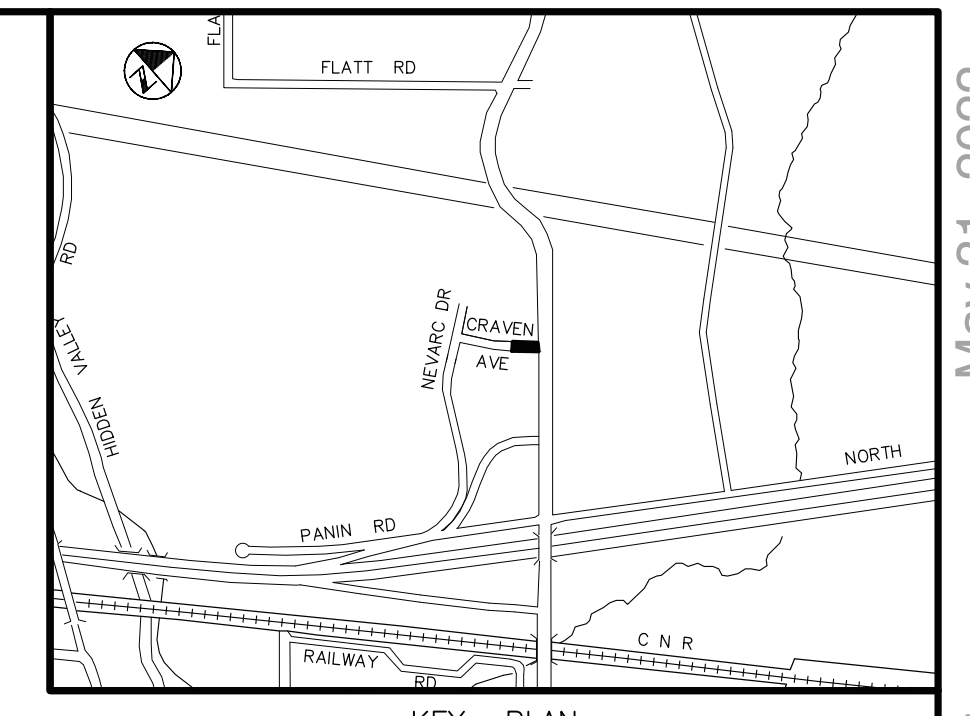
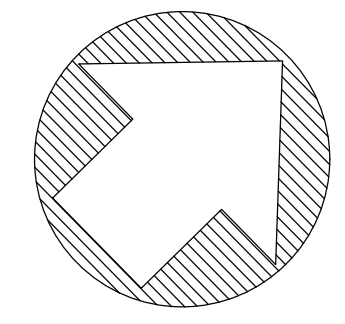
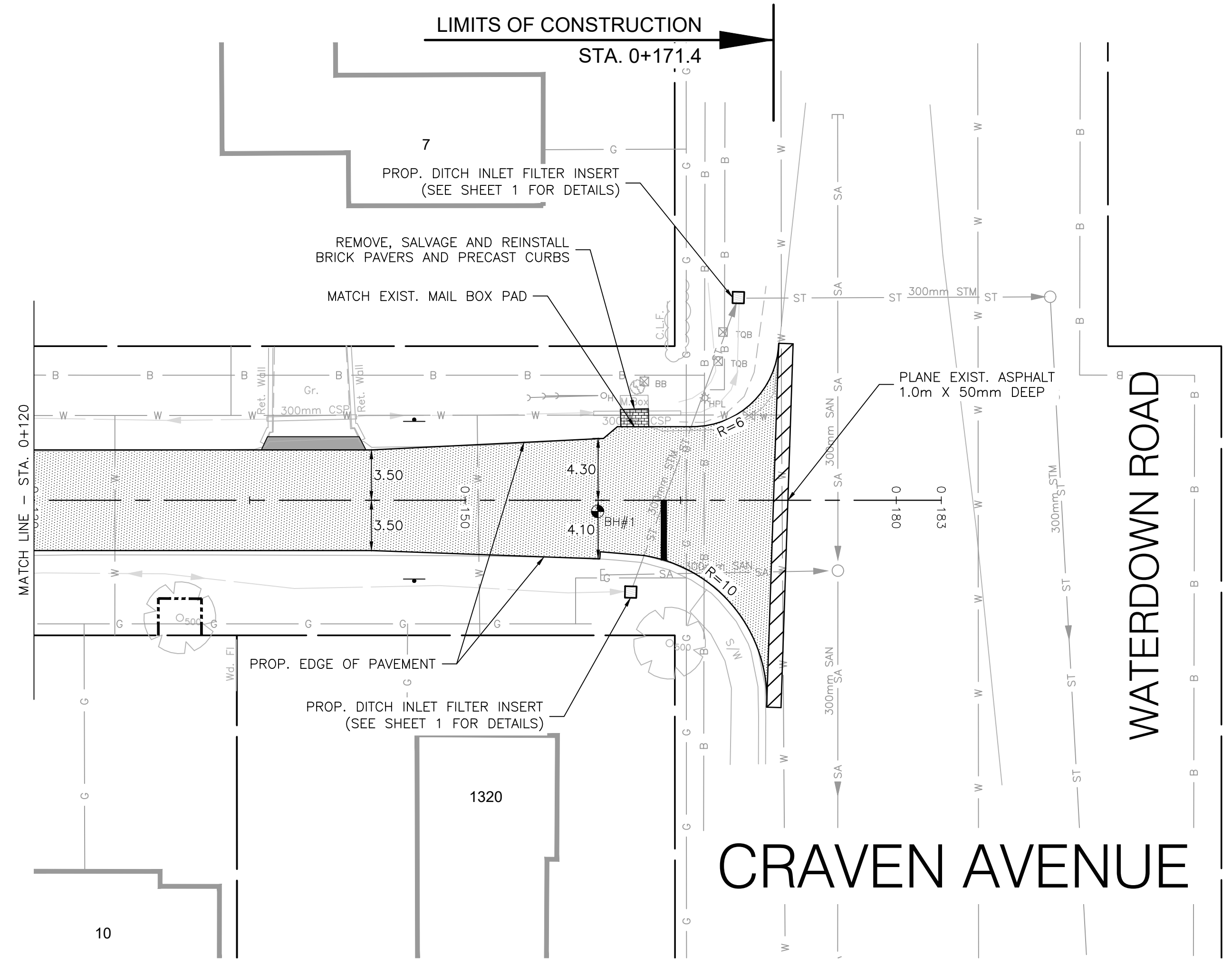
- 50mm HL3
- 50mm HL8
- BRICK DRIVEWAY REMOVE, SALVAGE AND REINSTALL
- CONCRETE SIDEWALK REPLACEMENT
- ASPHALT DRIVEWAY REPLACEMENT
- EARTH CUT OR FILL
- REMOVALS
- TREE PROTECTION WHERE SHOWN

DESIGN	J.C.	CHECKED	J.T.	DATE	NOVEMBER 2021
2	04/08/22	J.C.		ISSUED FOR CONSTRUCTION	
1	31/05/22	J.C.		ISSUED FOR TENDER	
No.	DATE	BY	REVISIONS		
SCALE			5 2.5 0 2.5 5 1 0.5 0 0.5 1 HORZ. 1:250 VERT 1:50		
APPROVALS			STAMP		
DIRECTOR OF ENGINEERING SERVICES					
DATE					
DRAWING NOT TO SCALE UNLESS PLOTTED ON 24" X 36" PAPER					
TITLE					
CRAVEN AVENUE Sta. 0+000 to Sta. 0+120 <i>Proposed Construction</i>					
MUNICIPAL DRAWING NO.			CAD FILENAME		
MC-92			M:\2022 Contracts\Craven & Nevarc\dwg\Contract\ES-22-24 Craven Ave.dwg		
CONTRACT NO.			SHEET		
ES-22-24			2 OF 7		

AutoCAD drawings: M:\2022 Contracts\Craven & Nevarc\dwg\Contract\ES-22-24 Craven Ave.dwg
 Last saved by: jic

CRAVEN AVENUE AREA & ALDRIDGE CRESCENT MINOR RECONSTRUCTION
 ES-22-24

AutoCAD drawings: M:\2022_Contracts\Crown & Nevarc\dwg\Contract\ES-22-24_Craven_Ave.dwg
 Last saved by: jic

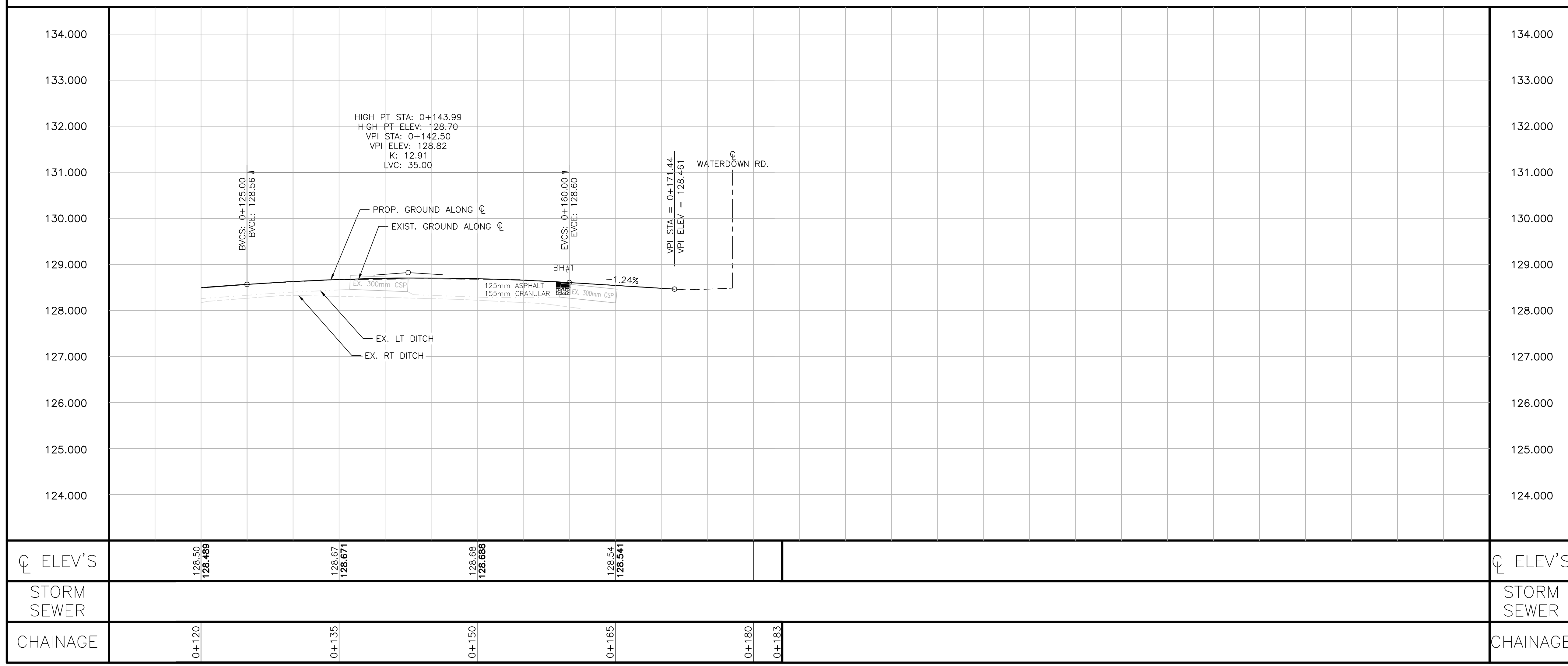


LEGEND

ALL EXISTING WATER VALVES, CATCHBASINS & MAINTENANCE COVERS ARE TO BE ADJUSTED AS REQUIRED.

- 50mm HL3
- 50mm HL8
- BRICK DRIVEWAY REMOVE, SALVAGE AND REINSTALL
- CONCRETE SIDEWALK REPLACEMENT
- ASPHALT DRIVEWAY REPLACEMENT
- EARTH CUT OR FILL
- REMOVALS
- TREE PROTECTION WHERE SHOWN

Issued for Tender: May 31, 2022
 Issued for Construction: Aug 04, 2022



2	04/08/22	J.C.	ISSUED FOR CONSTRUCTION
1	31/05/22	J.C.	ISSUED FOR TENDER
No.	DATE	BY	REVISIONS
DESIGN	J.C.	CHECKED	J.T.
DATE NOVEMBER 2021			

SCALE: 5 2.5 0 5
 1 0.5 0 1
 HORZ. 1:250
 VERT 1:50

APPROVALS: _____
 STAMP: _____
 DIRECTOR OF ENGINEERING SERVICES
 DATE: _____

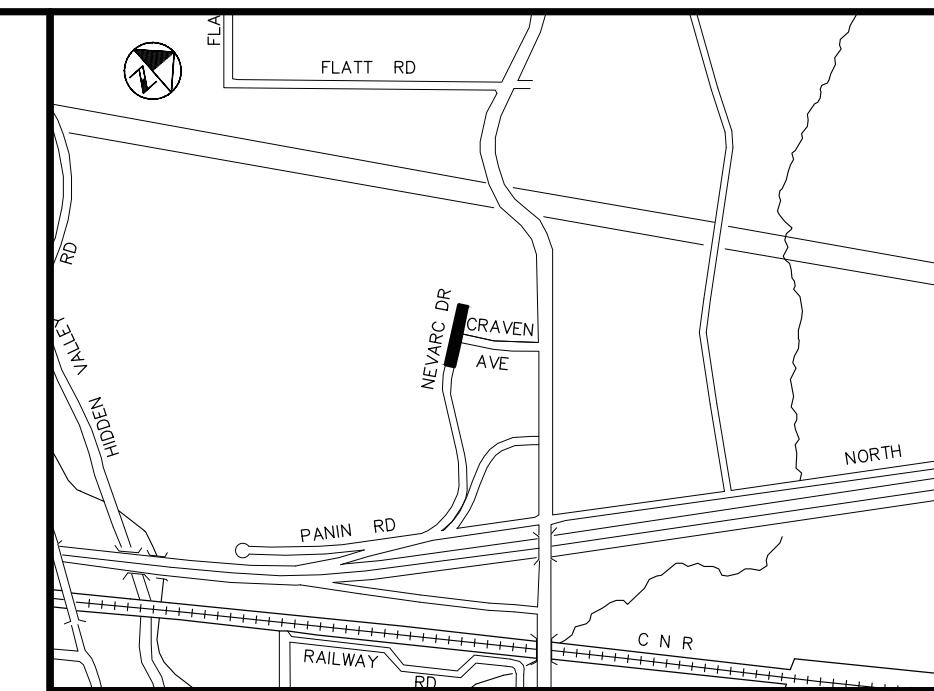
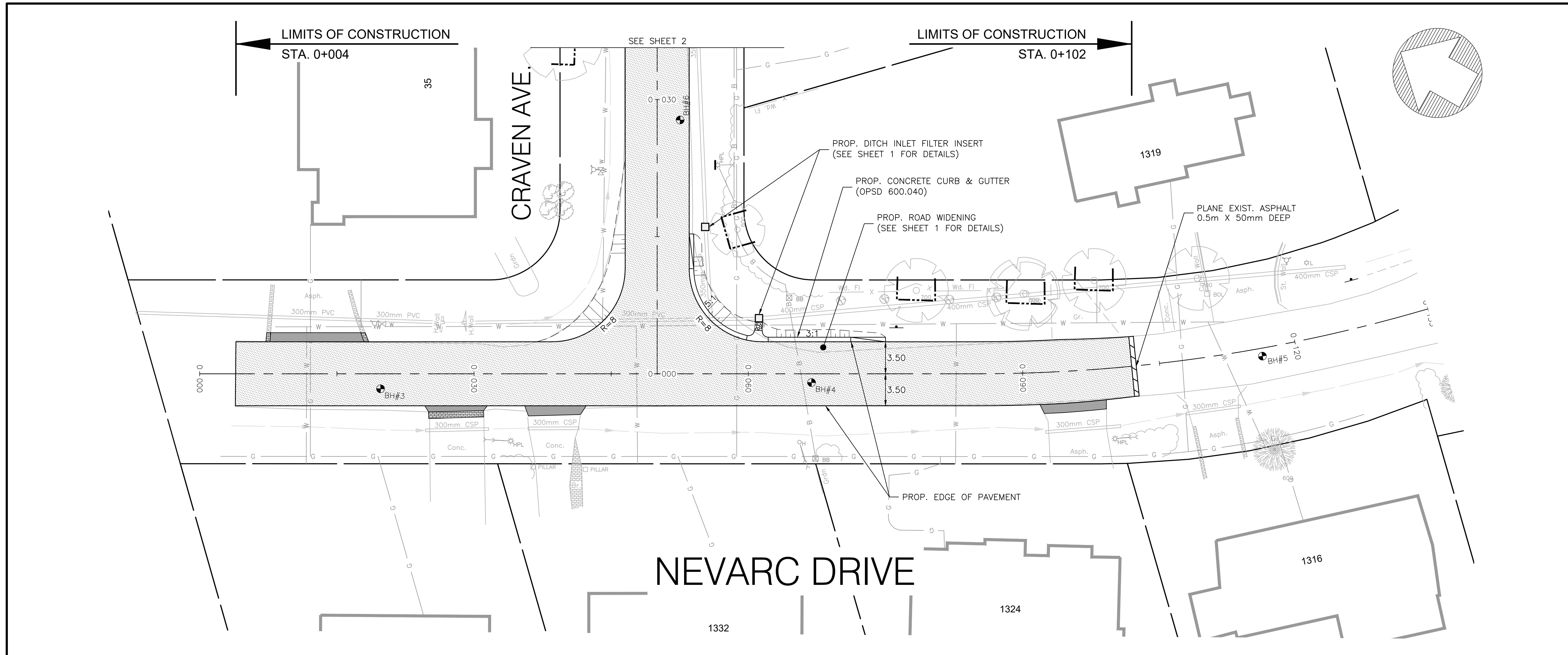
DRAWING NOT TO SCALE UNLESS PLOTTED ON 24" X 36" PAPER

CITY OF Burlington
 Engineering Services

TITLE: **CRAVEN AVENUE**
 Sta. 0+000 to Sta. 0+183
 Proposed Construction

MUNICIPAL DRAWING NO. MC-92	CAD FILENAME M:\2022_Contracts\Crown & Nevarc\dwg\Contract\ES-22-24_Craven_Ave.dwg
CONTRACT NO. ES-22-24	SHEET 3 OF 7

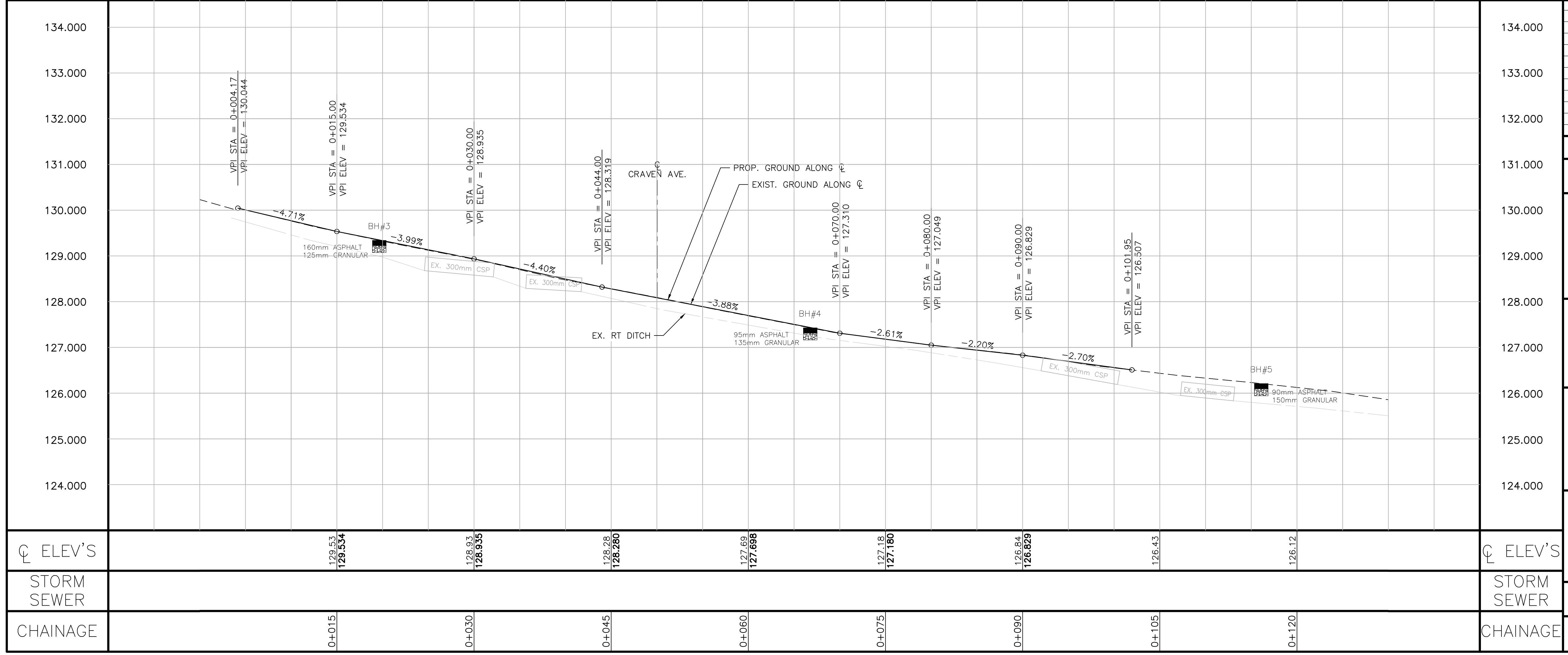
CRAVEN AVENUE AREA & ALDRIDGE CRESCENT MINOR RECONSTRUCTION
 ES-22-24



LEGEND

ALL EXISTING WATER VALVES, CATCHBASINS & MAINTENANCE COVERS ARE TO BE ADJUSTED AS REQUIRED.

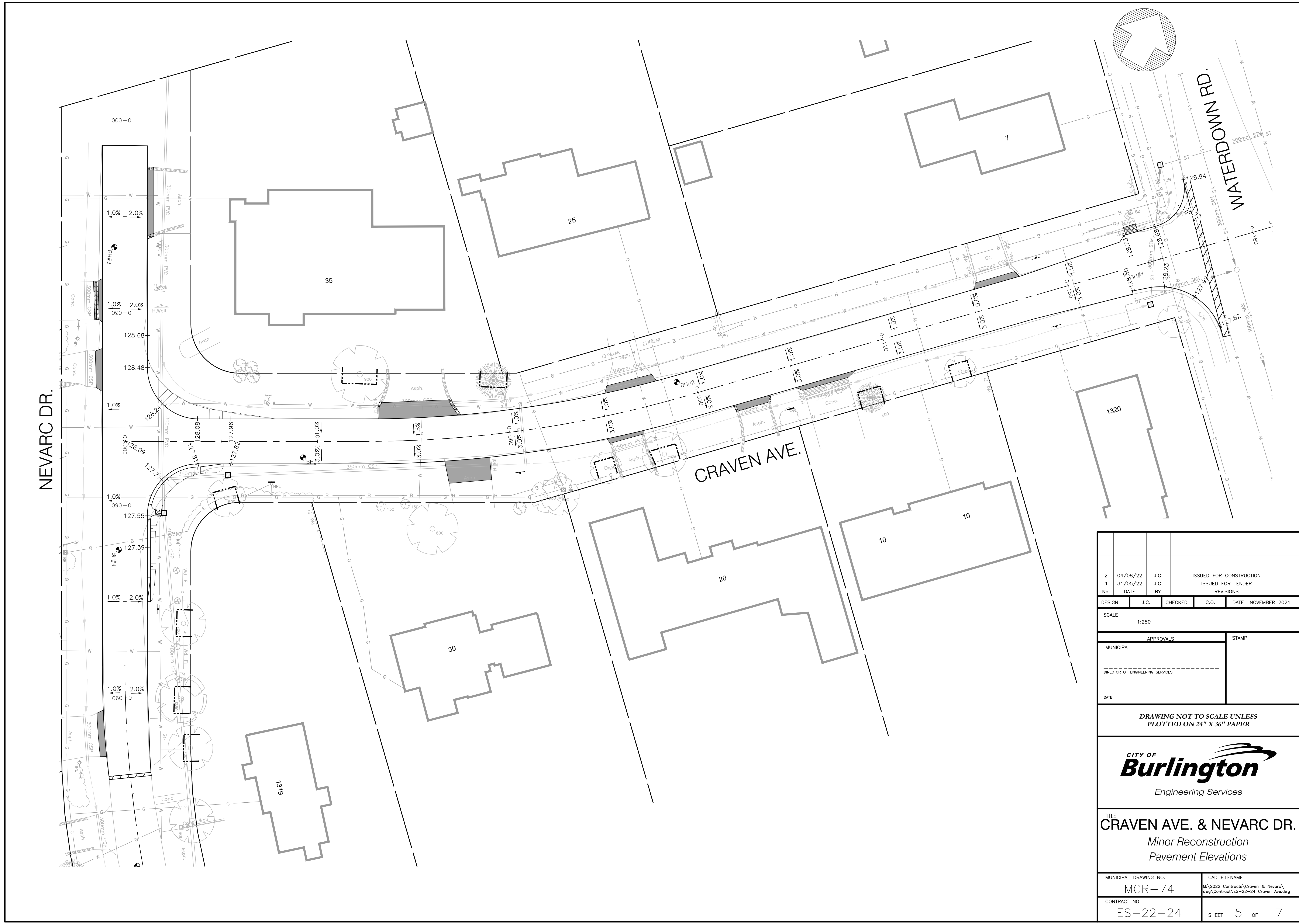
- 50mm HL3
- 50mm HL8
- BRICK DRIVEWAY REMOVE, SALVAGE AND REINSTALL
- CONCRETE SIDEWALK REPLACEMENT
- ASPHALT DRIVEWAY REPLACEMENT
- EARTH CUT OR FILL
- REMOVALS
- TREE PROTECTION WHERE SHOWN



DESIGN	J.C.	CHECKED	J.T.	DATE	NOVEMBER 2021
1	31/05/22	J.C.		ISSUED FOR TENDER	
REVISIONS					
APPROVALS			STAMP		
DIRECTOR OF ENGINEERING SERVICES			DATE		
DRAWING NOT TO SCALE UNLESS PLOTTED ON 24" X 36" PAPER					
TITLE NEVARC DRIVE Sta. 0+000 to Sta. 0+164 Proposed Construction					
MUNICIPAL DRAWING NO.			CAD FILENAME		
MN-26			M:\2022 Contracts\Craven & Nevarc\dwg\Contract\ES-22-24 Craven Ave.dwg		
CONTRACT NO.			SHEET		
ES-22-24			4 OF 7		

AutoCAD drawings: M:\2022 Contracts\Craven & Nevarc.dwg\Contract\ES-22-24 Craven Ave.dwg
 Last saved by: jfc

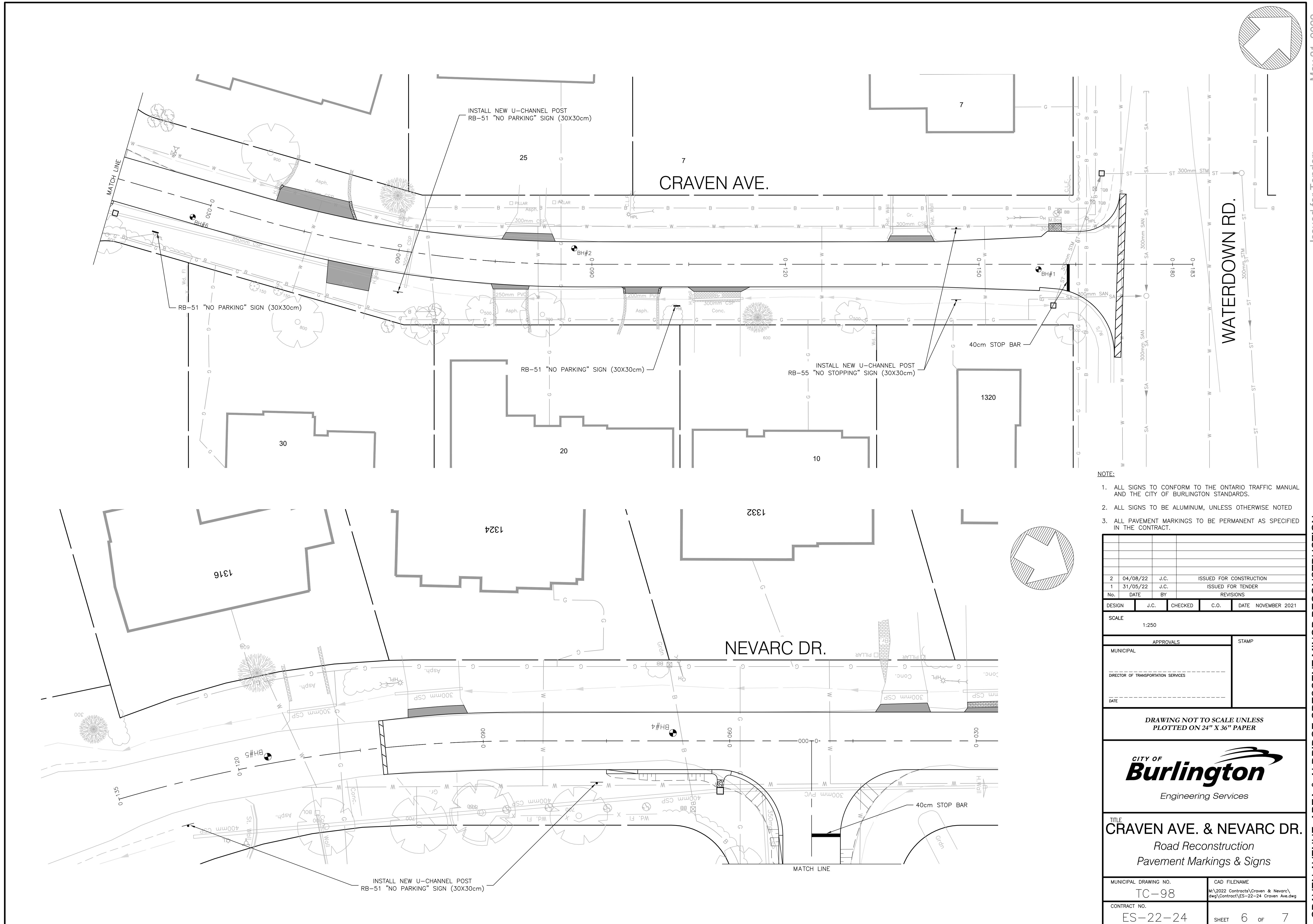
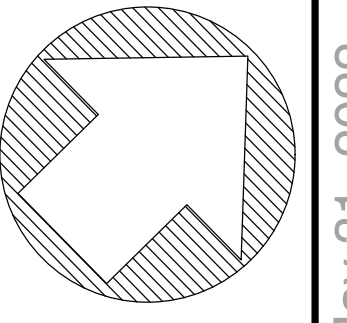
AutoCAD drawing: M:\2022 Contracts\Craven & Nevarc\dwg\Contract\ES-22-24 Craven Ave.dwg
 Last saved by: J.C.



2		04/08/22	J.C.	ISSUED FOR CONSTRUCTION
1		31/05/22	J.C.	ISSUED FOR TENDER
No.	DATE	BY	REVISIONS	
DESIGN	J.C.	CHECKED	C.O.	DATE NOVEMBER 2021
SCALE 1:250				
APPROVALS			STAMP	
MUNICIPAL				
DIRECTOR OF ENGINEERING SERVICES				
DATE				
DRAWING NOT TO SCALE UNLESS PLOTTED ON 24" X 36" PAPER				
TITLE CRAVEN AVE. & NEVARC DR. Minor Reconstruction Pavement Elevations				
MUNICIPAL DRAWING NO. MGR-74		CAD FILENAME M:\2022 Contracts\Craven & Nevarc\dwg\Contract\ES-22-24 Craven Ave.dwg		
CONTRACT NO. ES-22-24		SHEET 5 OF 7		

CRAVEN AVENUE AREA & ALDRIDGE CRESCENT MINOR RECONSTRUCTION
 ES-22-24

Issued for Tender: May 31, 2022
 Issued for Construction: Aug 04, 2022



- NOTE:**
1. ALL SIGNS TO CONFORM TO THE ONTARIO TRAFFIC MANUAL AND THE CITY OF BURLINGTON STANDARDS.
 2. ALL SIGNS TO BE ALUMINUM, UNLESS OTHERWISE NOTED
 3. ALL PAVEMENT MARKINGS TO BE PERMANENT AS SPECIFIED IN THE CONTRACT.

No.	DATE	BY	REVISIONS
2	04/08/22	J.C.	ISSUED FOR CONSTRUCTION
1	31/05/22	J.C.	ISSUED FOR TENDER

DESIGN	J.C.	CHECKED	C.O.	DATE
				NOVEMBER 2021

APPROVALS		STAMP
MUNICIPAL		
DIRECTOR OF TRANSPORTATION SERVICES		
DATE		

DRAWING NOT TO SCALE UNLESS PLOTTED ON 24" X 36" PAPER

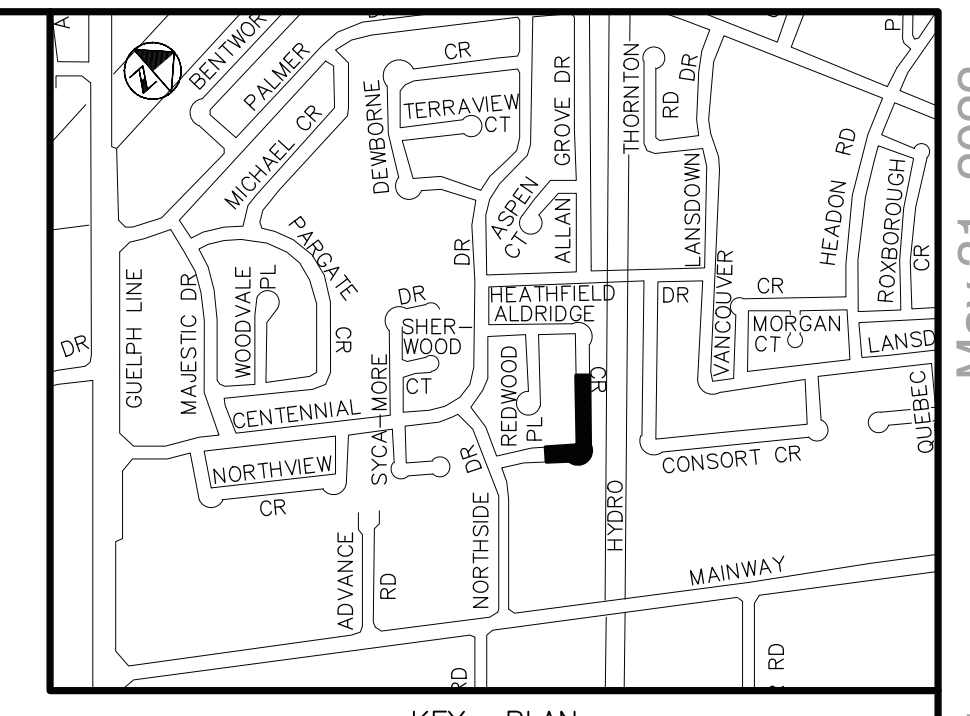
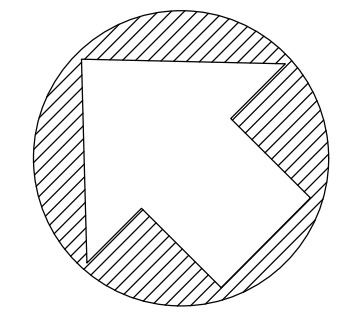


TITLE
CRAVEN AVE. & NEVARC DR.
Road Reconstruction
Pavement Markings & Signs

MUNICIPAL DRAWING NO. TC-98	CAD FILENAME M:\2022 Contracts\Craven & Nevarc\dwg\Contract\ES-22-24 Craven Ave.dwg
CONTRACT NO. ES-22-24	SHEET 6 OF 7

AutoCAD drawing: M:\2022 Contracts\Craven & Nevarc\dwg\Contract\ES-22-24 Craven Ave.dwg
 Last saved by: j.c.

AutoCAD drawings: M:\2022_Contracts\Craven & Nevarc\dwg\Contract\ES-22-24_Craven_Ave.dwg
 Last saved by: j.c.



LEGEND

- ASPHALT DRIVEWAY REPLACEMENT
- REMOVE & REPLACE FRAME & COVER (OPSD 400.010)

2	04/08/22	J.C.	ISSUED FOR CONSTRUCTION				
1	31/05/22	J.C.	ISSUED FOR TENDER				
No.	DATE	BY	REVISIONS				
DESIGN	J.C.	CHECKED	C.O.	DATE	NOVEMBER 2021		
SCALE		1:250					
APPROVALS		STAMP					
MUNICIPAL							
DIRECTOR OF ENGINEERING SERVICES							
DATE							
DRAWING NOT TO SCALE UNLESS PLOTTED ON 24" X 36" PAPER							
TITLE ALDRIDGE CRESCENT <i>Proposed Construction</i>							
MUNICIPAL DRAWING NO.		CAD FILENAME					
MA-45		M:\2022_Contracts\Craven & Nevarc\dwg\Contract\ES-22-24_Craven_Ave.dwg					
CONTRACT NO.		SHEET 7 OF 7					
ES-22-24							

Issued for Tender: May 31, 2022
 Issued for Construction: Aug 04, 2022

CRAVEN AVENUE AREA & ALDRIDGE CRESCENT MINOR RECONSTRUCTION
 ES-22-24