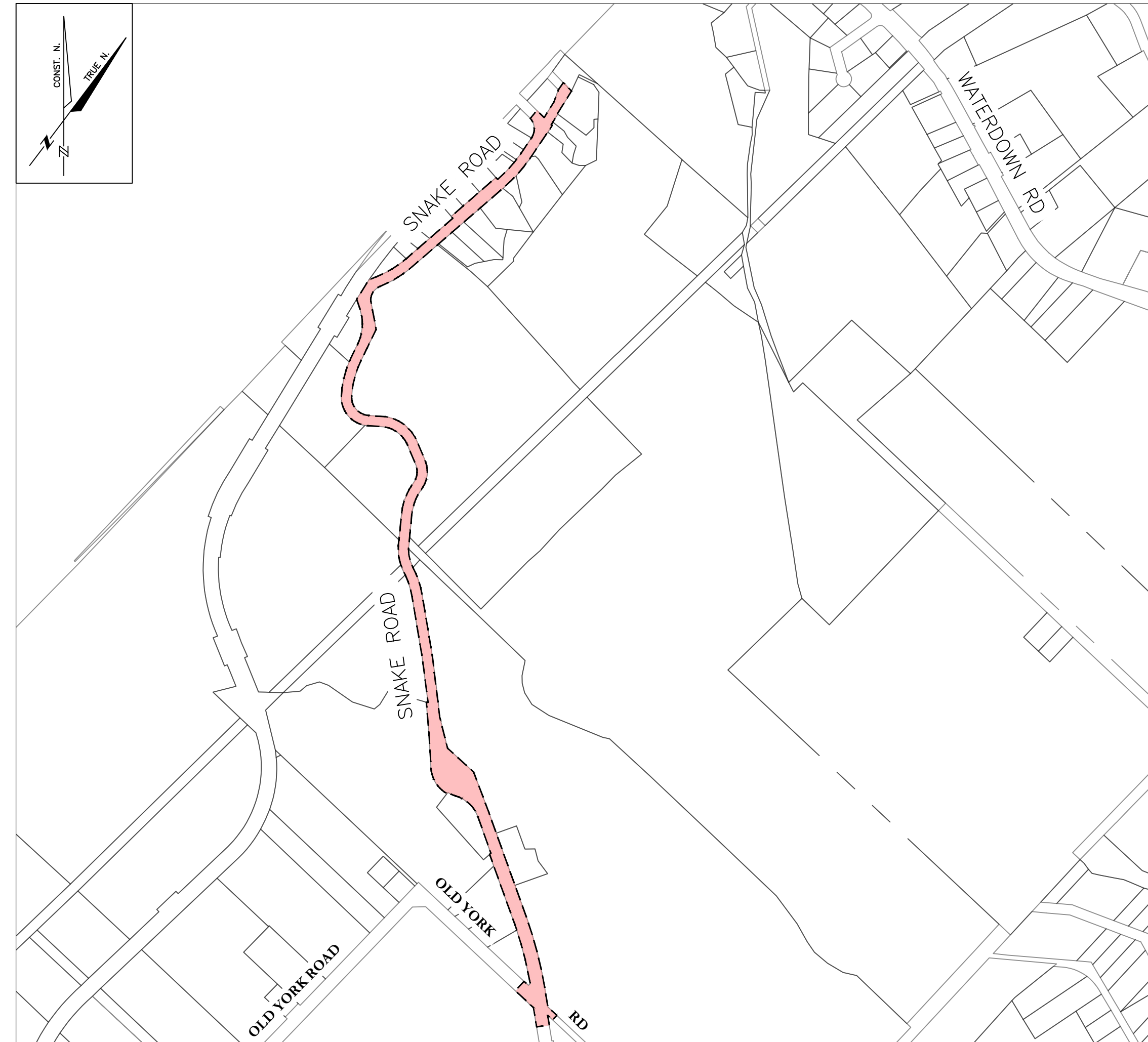


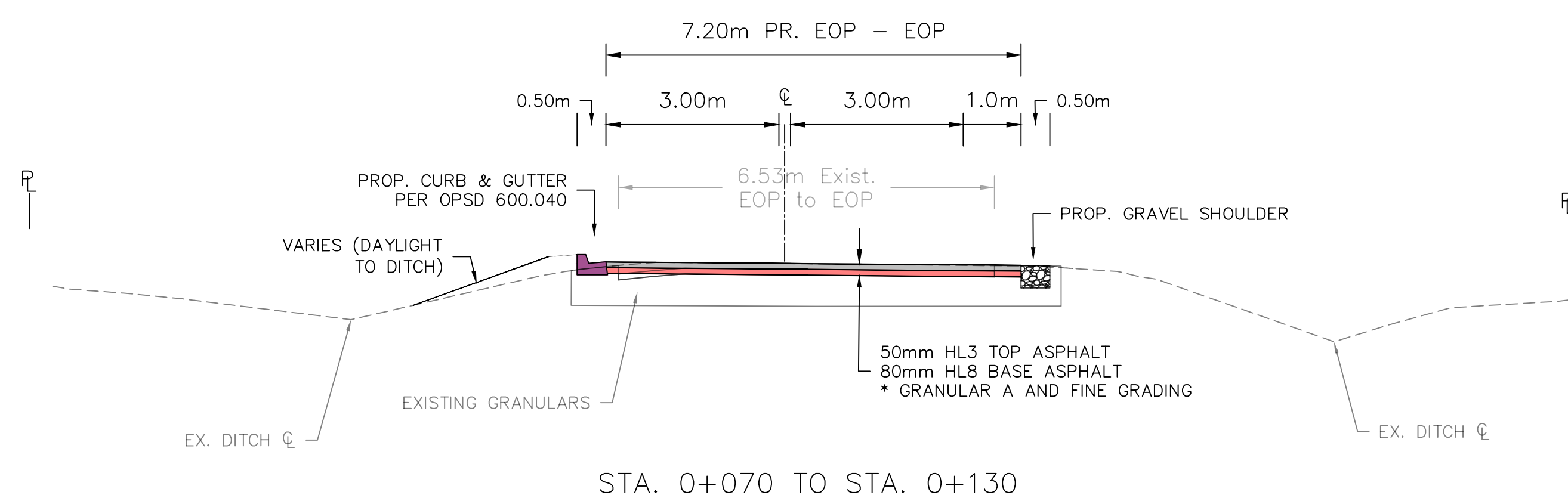


Engineering Services
Contract ES-26-04

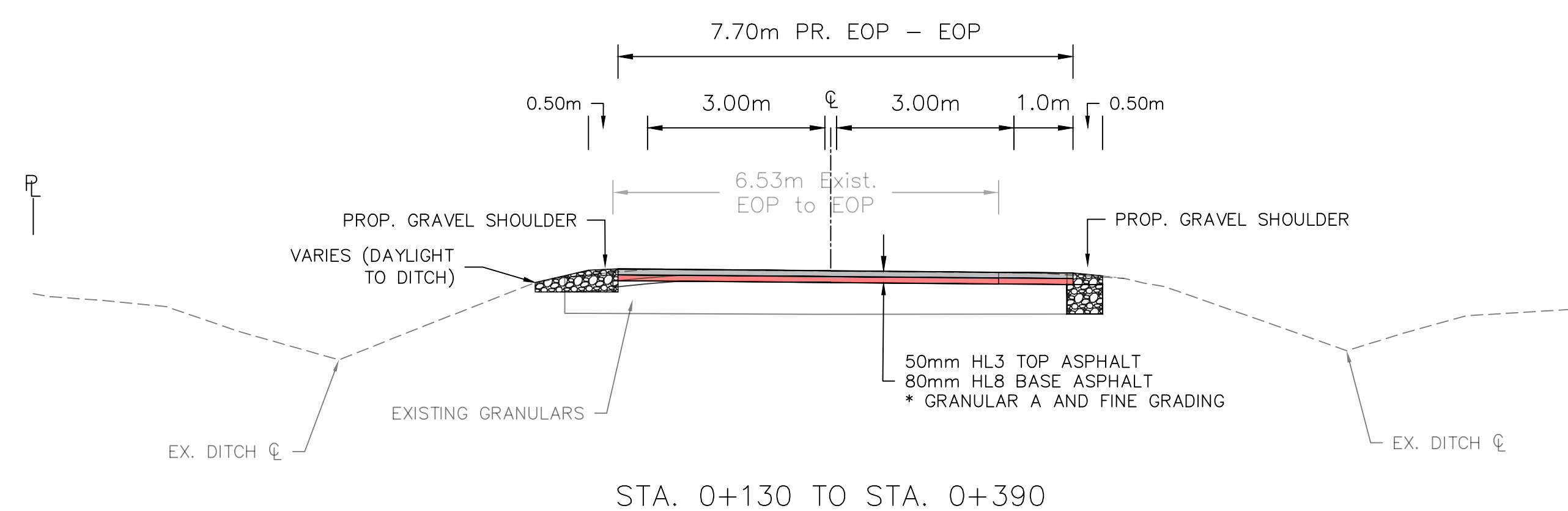
SNAKE ROAD MINOR RECONSTRUCTION

Old York Road to City Limits

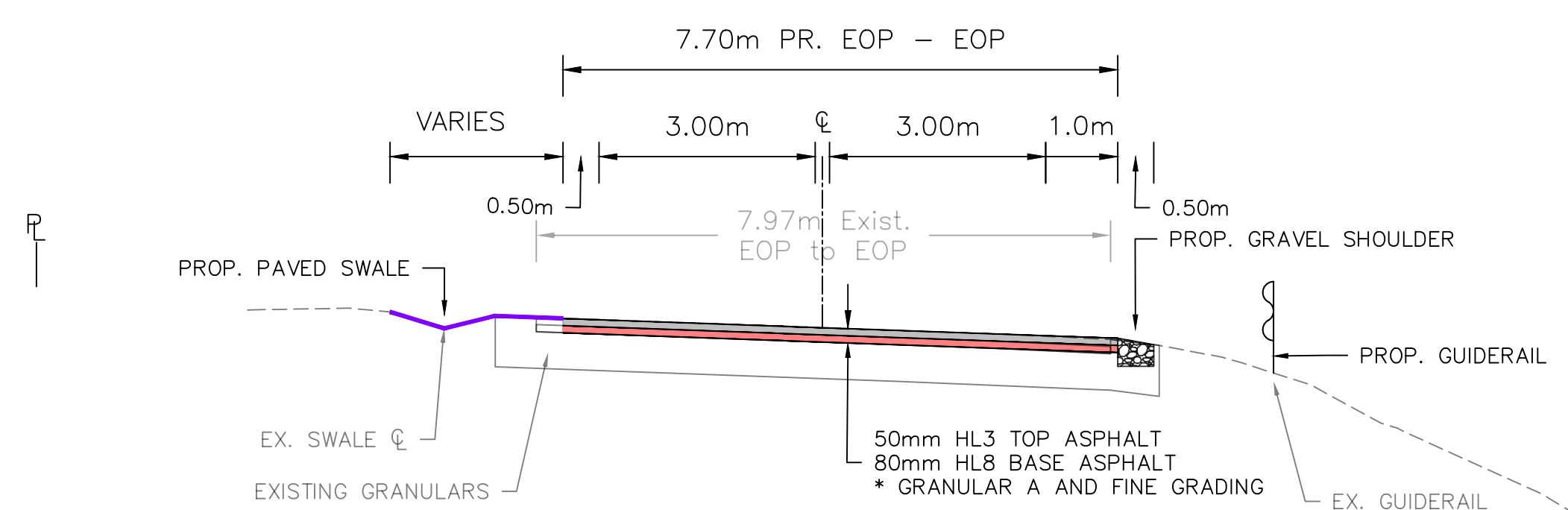




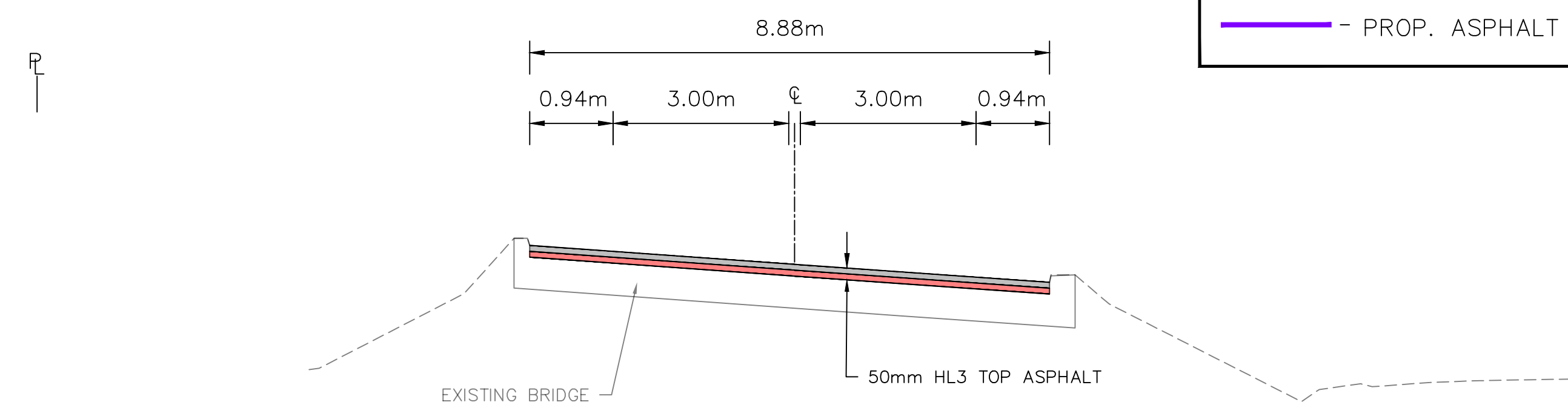
STA. 0+070 TO STA. 0+130



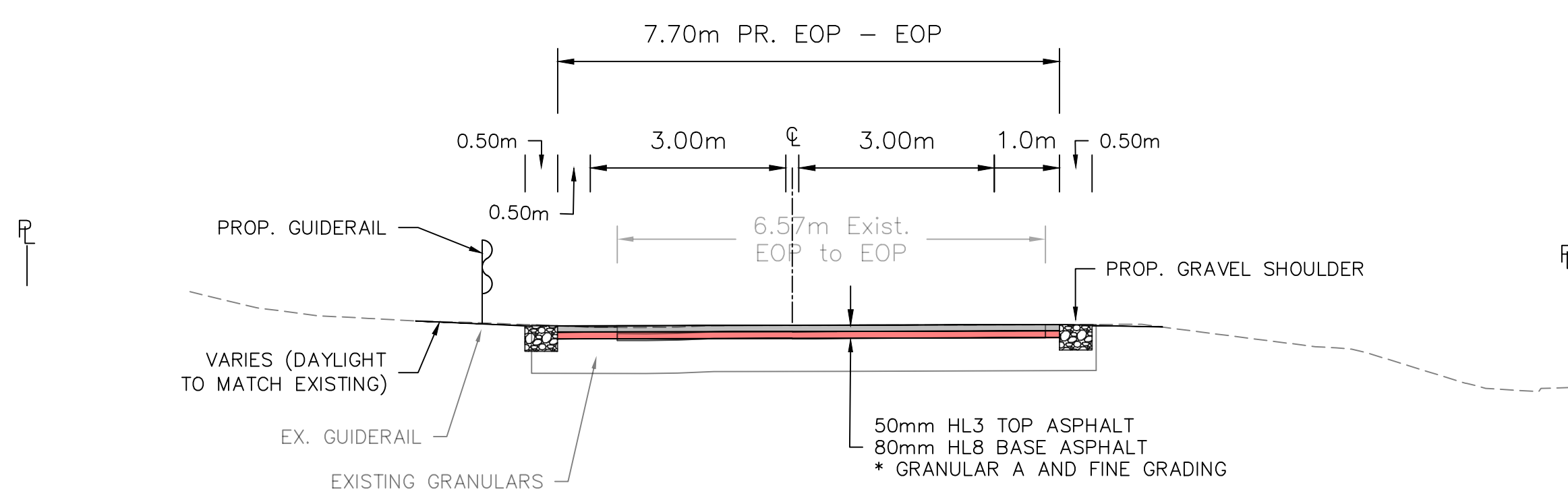
STA. 0+130 TO STA. 0+390



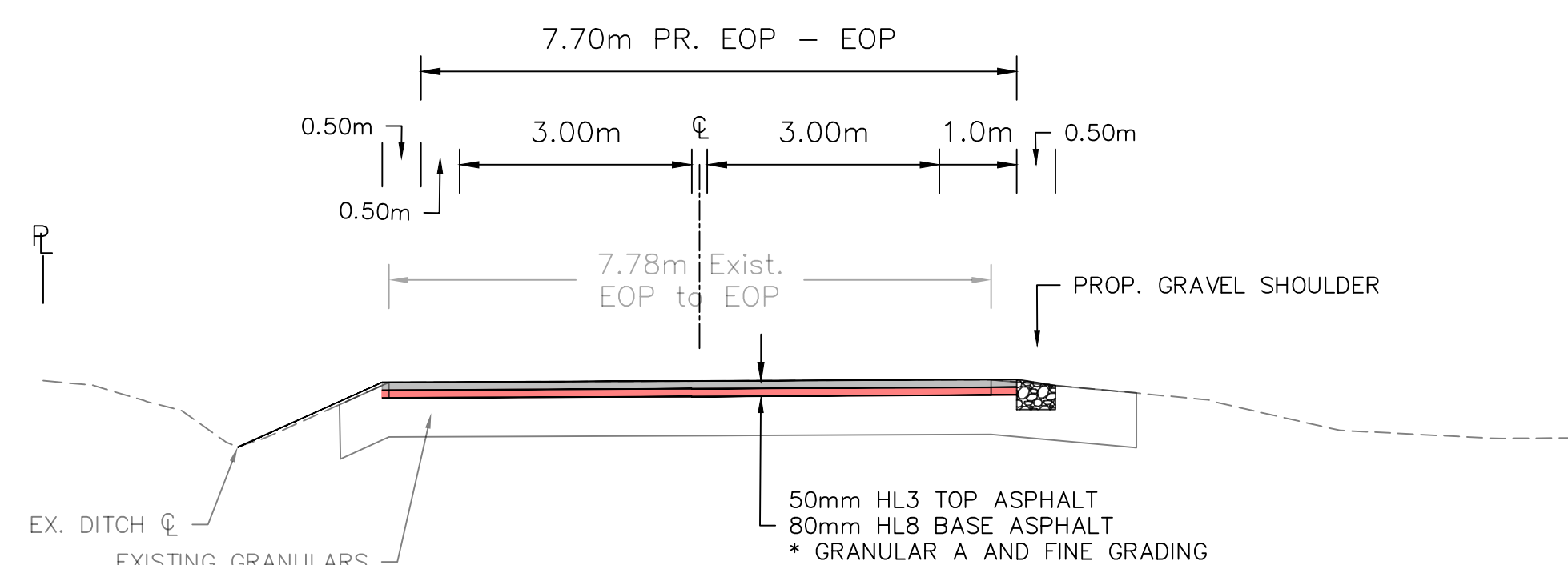
STA. 0+390 TO STA. 0+620



STA. 0+625 TO STA. 0+635



STA. 0+640 TO STA. 0+700



STA. 0+700 TO STA. 0+790

LEGEND

- PROPOSED TOP ASPHALT
- PROPOSED BASE ASPHALT
- PROPOSED CONC. CURB/GUTTER
- PROP. ASPHALT PAVED SWALE

1	MAR 26	T.Z.	ISSUED FOR P.I.C. REVIEW
No.	DATE	BY	REVISIONS

CHECKED	C.O.	CHECKED	J.Y.	DATE	MAR 2026
---------	------	---------	------	------	----------

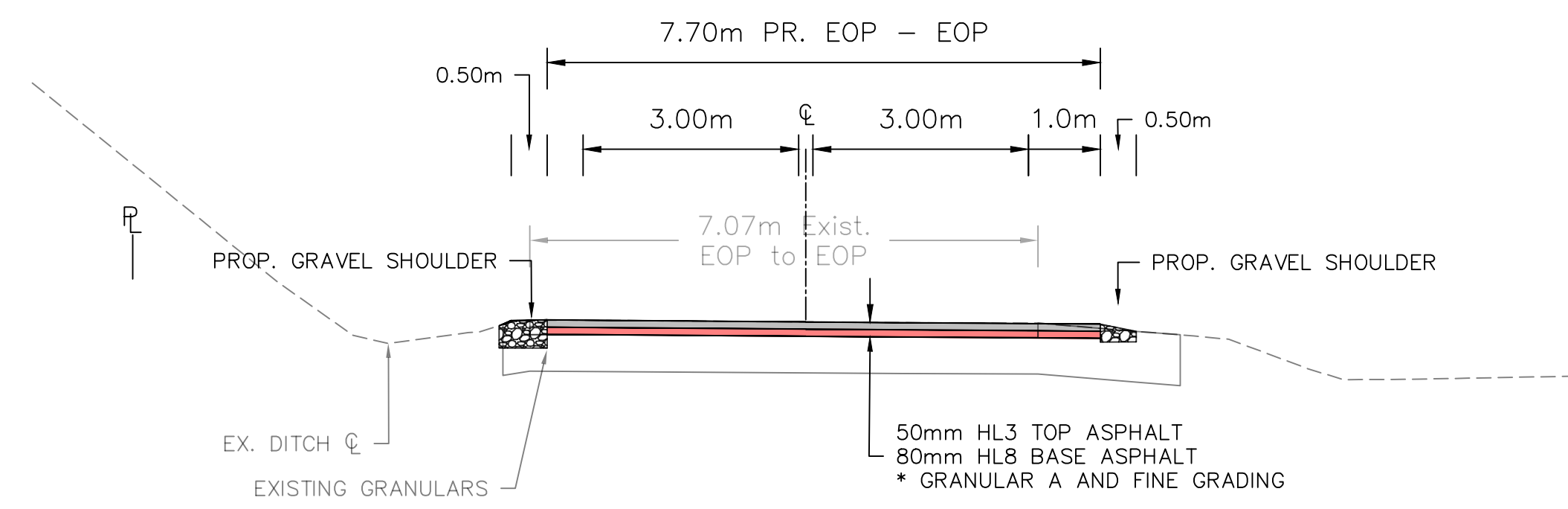
SCALE	NOT TO SCALE	REFERENCES:
APPROVALS		STAMP
MUNICIPAL		
Director of Engineering Services		
DATE		

CONSULTANT

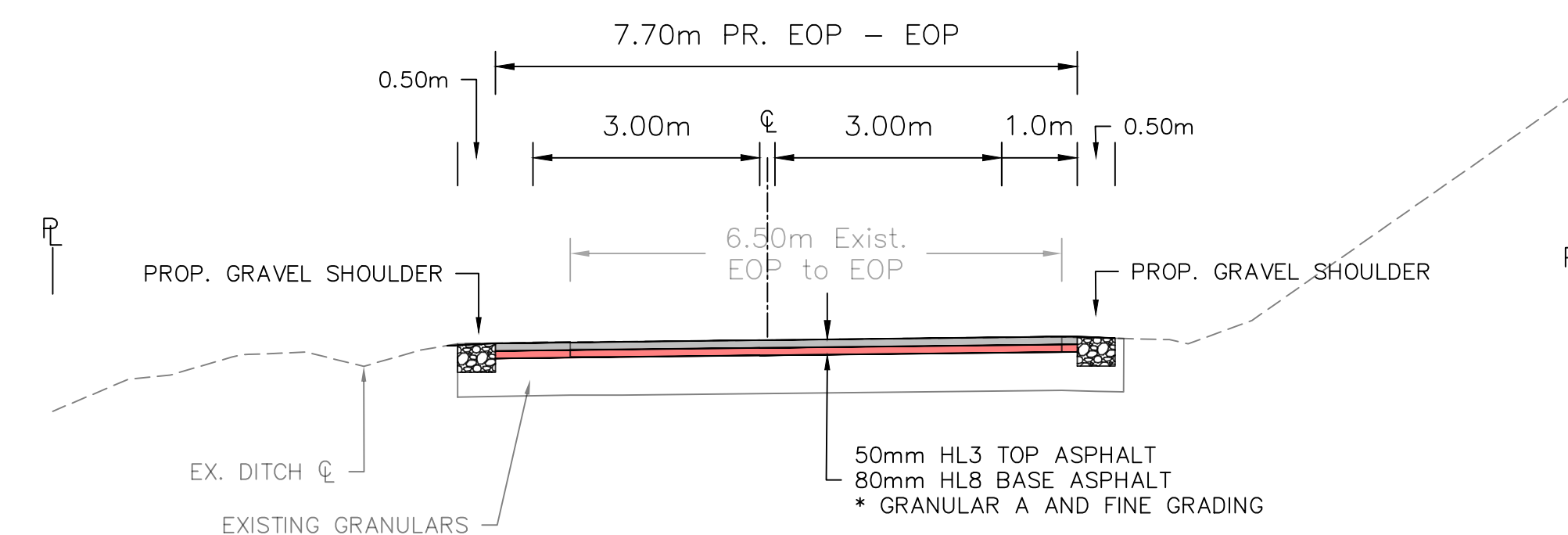


TITLE SNAKE ROAD MINOR RECONSTRUCTION
 Old York Road to City Limits
 Typical Sections

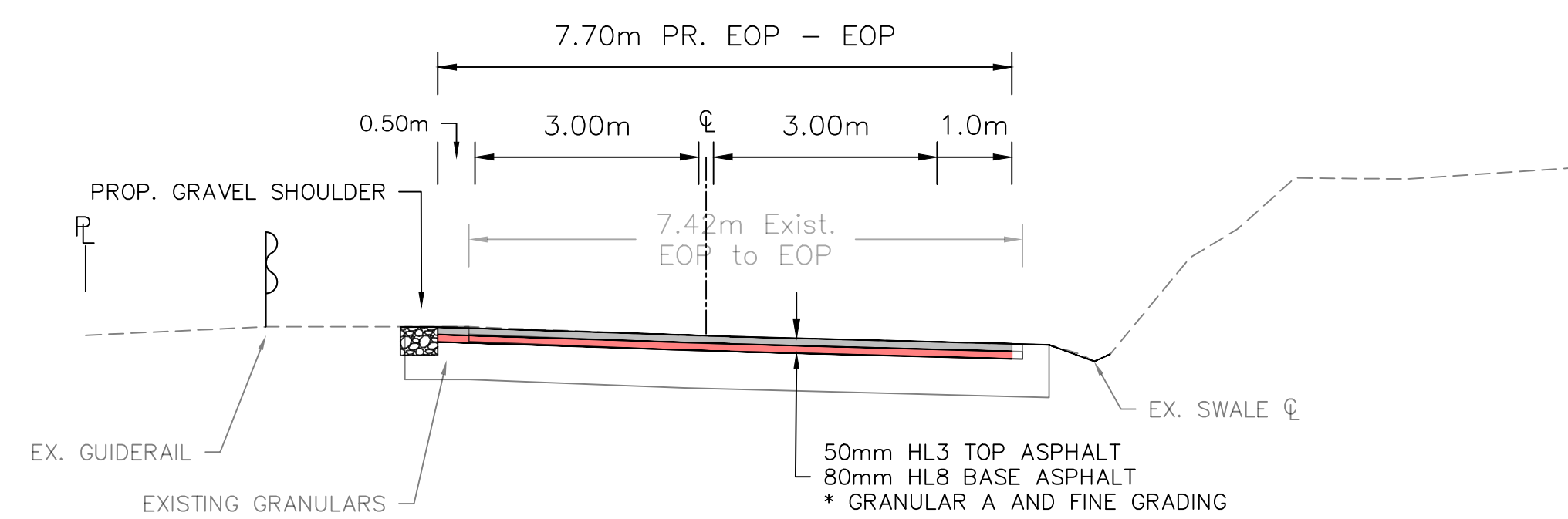
MUNICIPAL DRAWING NO.	CAD FILENAME
MMS-520	M:\2024 CONTRACTS\ES-24-XX SNAKE ROAD RENEWAL\DWG\PIC\SHEETS\01_PIC_TYP.DWG
CONTRACT NO.	SHEET 1 OF 10
ES-26-04	



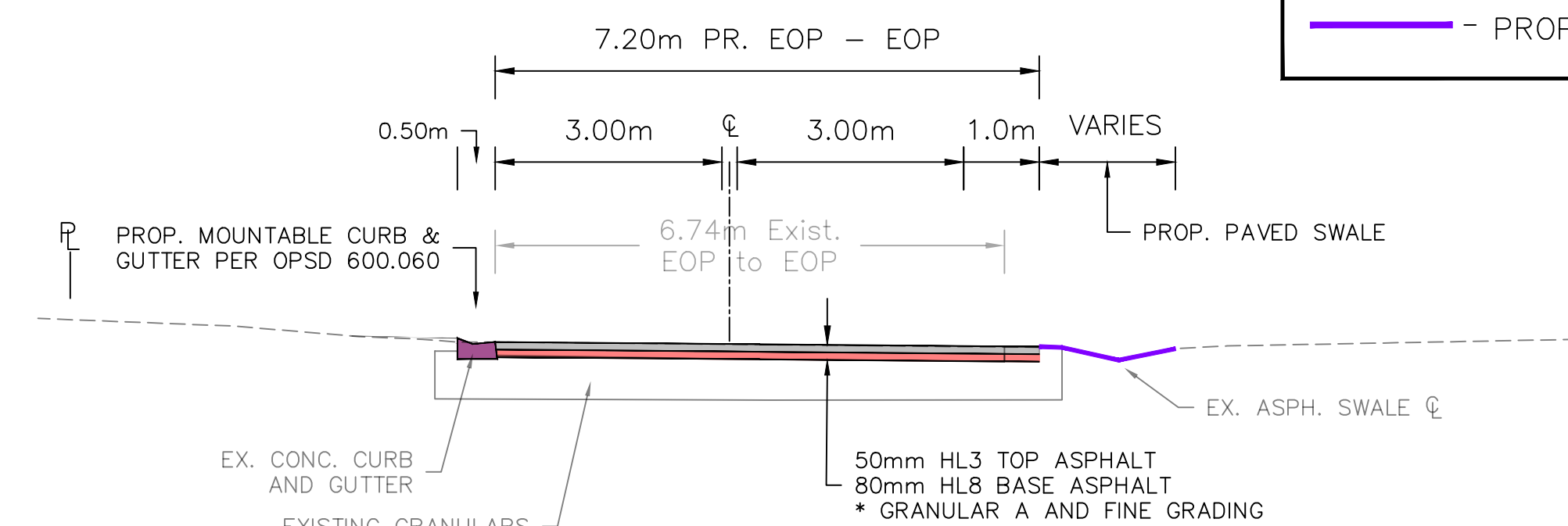
STA. 0+790 TO STA. 0+880



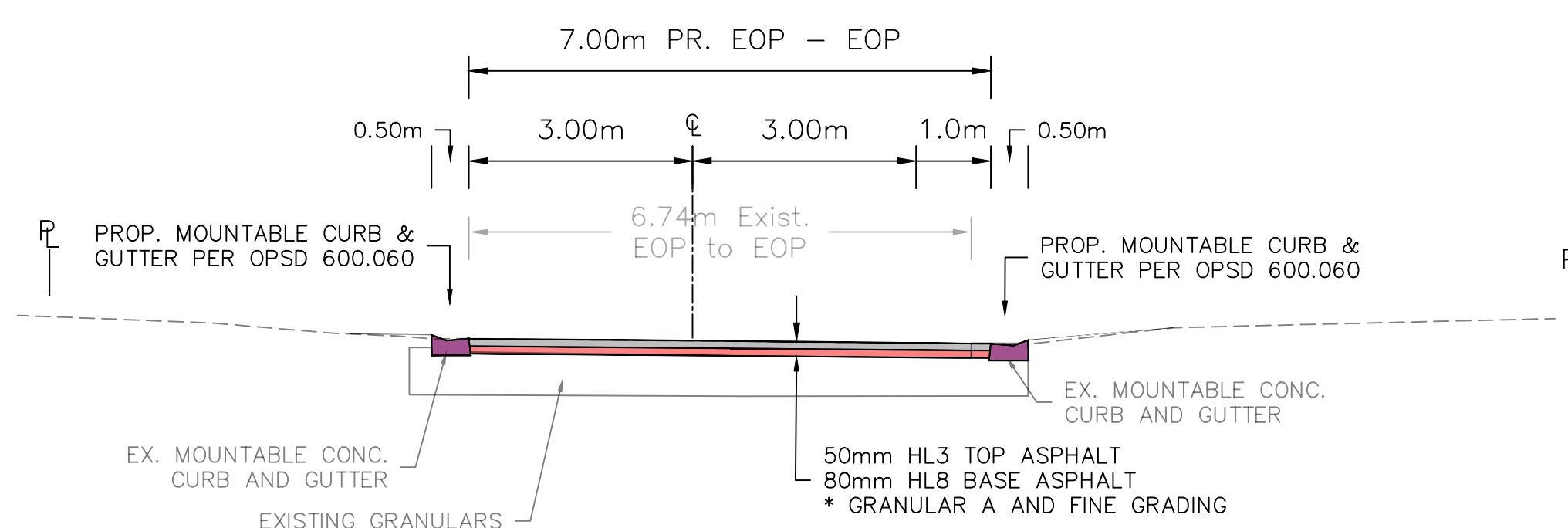
STA. 0+880 TO STA. 1+010



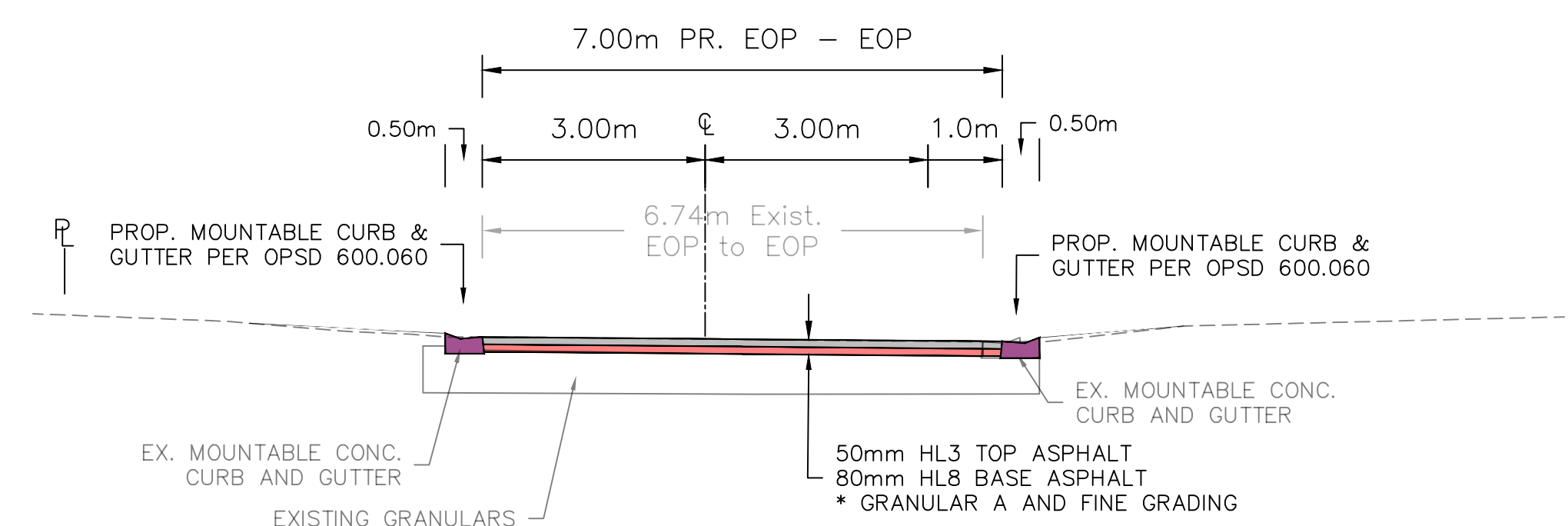
STA. 1+010 TO STA. 1+640



STA. 1+640 TO STA. 1+710



STA. 1+710 TO STA. 1+910



STA. 1+910 TO STA. 2+085

LEGEND

- PROPOSED TOP ASPHALT
- PROPOSED BASE ASPHALT
- PROPOSED CONC. CURB/GUTTER
- PROP. ASPHALT PAVED SWALE

1		MAR 26	T.Z.	ISSUED FOR P.I.C. REVIEW
No.	DATE	BY	REVISIONS	
CHECKED	C.O.	CHECKED	J.Y.	DATE
				MAR 2026
SCALE		NOT TO SCALE		REFERENCES:
MUNICIPAL		APPROVALS		STAMP
Director of Engineering Services				
DATE				
CONSULTANT				



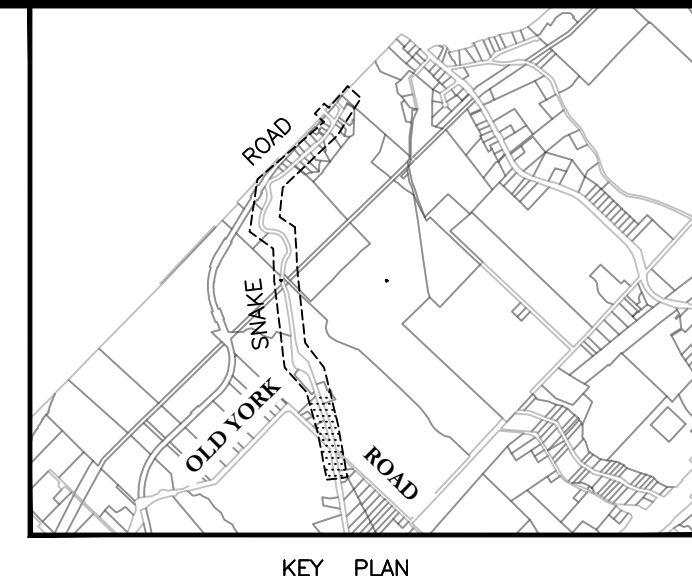
TITLE SNAKE ROAD MINOR RECONSTRUCTION
Old York Road to City Limits
Typical Sections

MUNICIPAL DRAWING NO. MMS-520	CAD FILENAME M:\2024 CONTRACTS\ES-24-XX SNAKE ROAD RENEWAL\DWG\PIC\SHEETS\01_PIC_TYP.DWG
CONTRACT NO. ES-26-04	SHEET 2 OF 10

D:\Projects\11\2024 CONTRACTS\ES-24-XX SNAKE ROAD RENEWAL\DWG\PIC\SHEETS\01_PIC_TYP.DWG
 User: jtk
 Date: 03/30/2026 Time: 12:45:41 PM

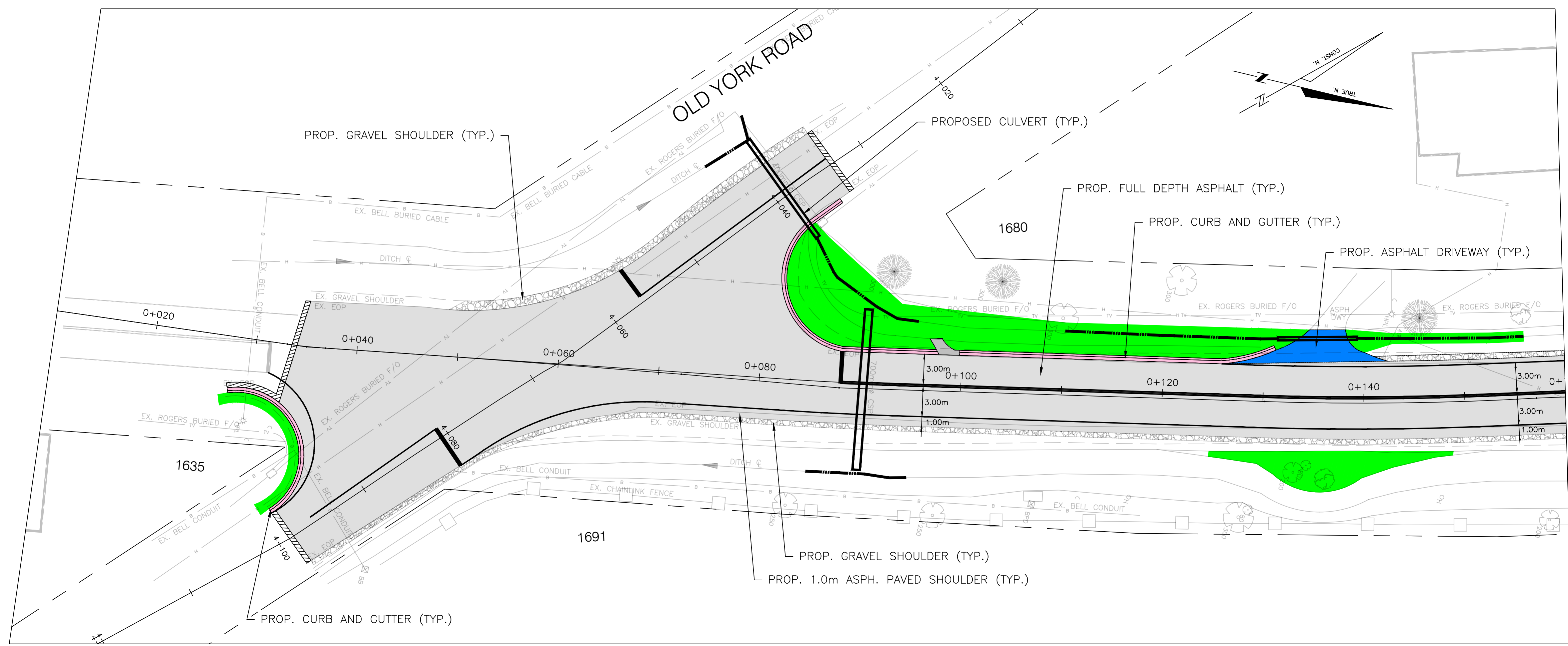
Issued for Tender: XXX xx, 2026
 Issued for CONSTRUCTION: XXX xx, 2026

SNAKE ROAD MINOR RECONSTRUCTION
 ES-26-04



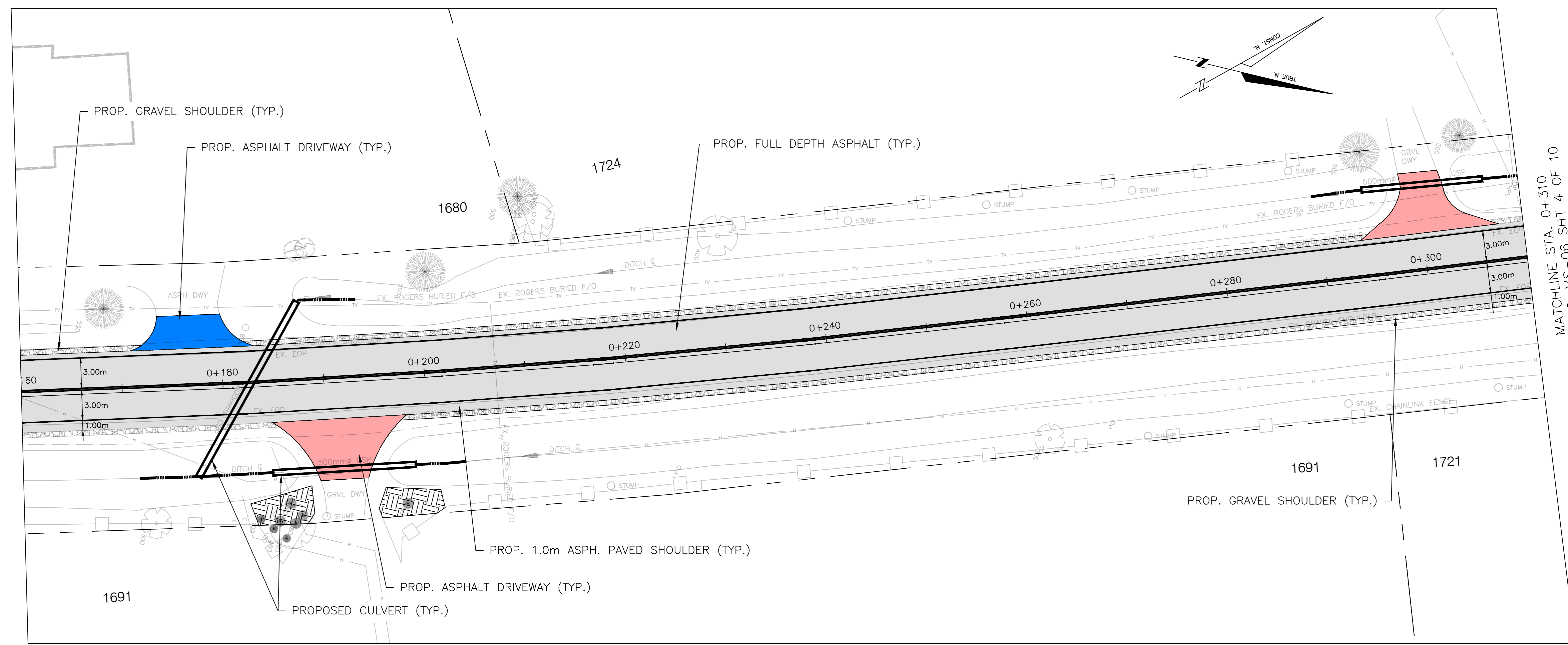
LEGEND

- ALL EXISTING WATER VALVES, CATCHBASINS & MAINTENANCE COVERS ARE TO BE ADJUSTED AS REQUIRED.
- PROPOSED FULL DEPTH ASPHALT
- PROPOSED TOPSOIL AND SOD
- PROPOSED ASPHALT DRIVEWAY
- PROPOSED GRAVEL DRIVEWAY
- PROPOSED ASPH. PAVED SWALE
- PROPOSED CONCRETE CURB AND GUTTER
- PROPOSED GUIDERAIL
- NEW FRAME AND COVER (CATCHBASIN)
- PROPOSED DITCH INLET



MATCHLINE STA. 0+160
SEE DWG. BELOW

SNAKE ROAD

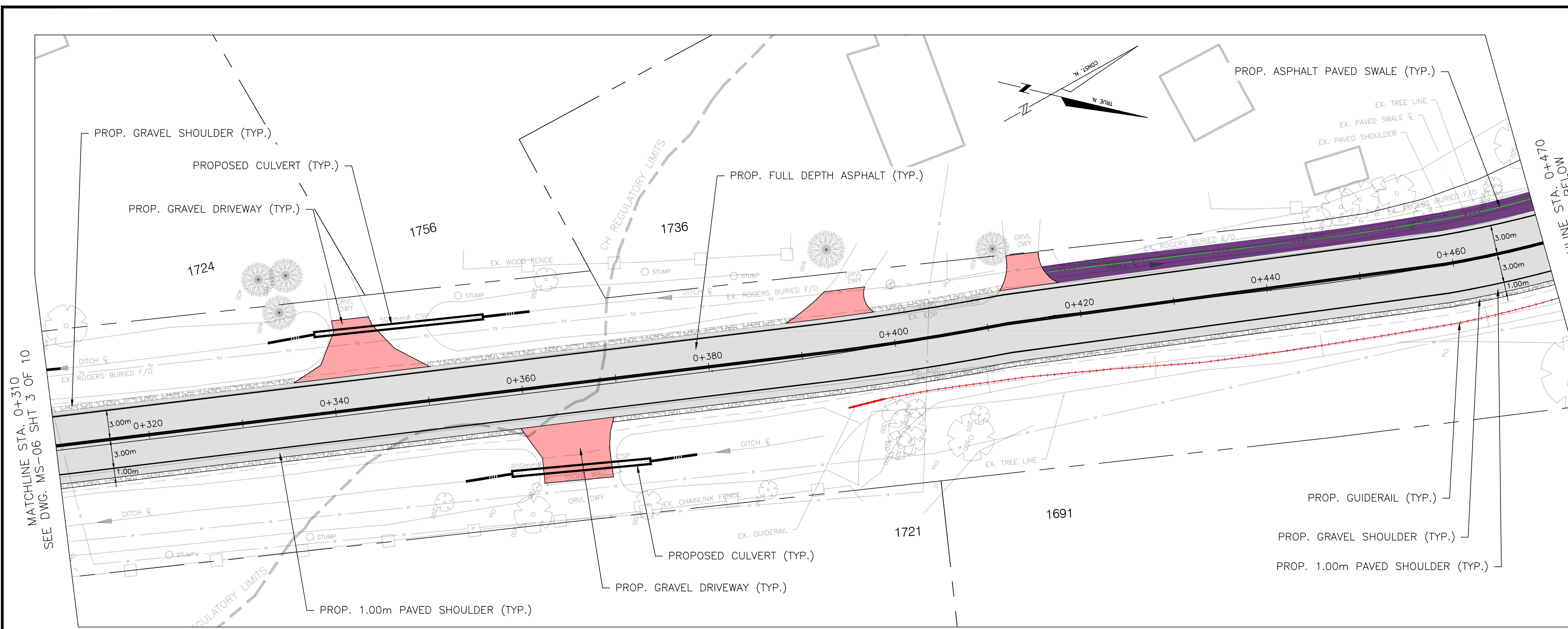


MATCHLINE STA. 0+310
SEE DWG. MS-06 SHT 4 OF 10

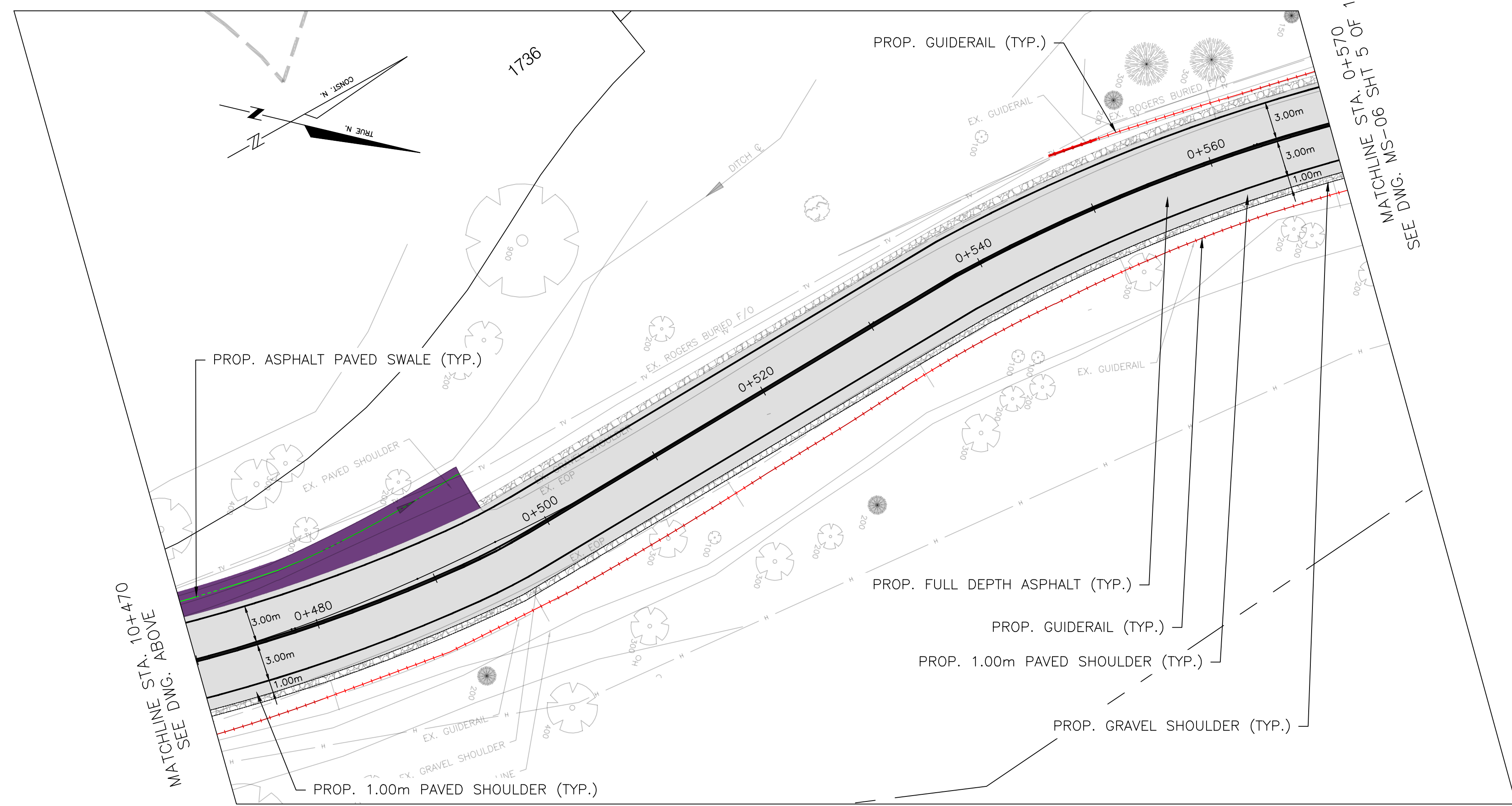
SNAKE ROAD

1		MAR 26	T.Z.	ISSUED FOR P.I.C. REVIEW
No.	DATE	BY	REVISIONS	
CHECKED	C.O.	CHECKED	J.Y.	DATE MAR 2026
SCALE		5	2.5	0
		1	5	0
		HORIZ. 1:250		VERT N/A
APPROVALS			STAMP	
MUNICIPAL				
DIRECTOR OF ENGINEERING SERVICES				
DATE				
DRAWING NOT TO SCALE UNLESS PLOTTED ON 24" X 36" PAPER				
TITLE SNAKE ROAD MINOR RECONSTRUCTION Old York Road to City Limits <i>Proposed Works Plan</i>				
MUNICIPAL DRAWING NO.		CAD FILENAME		
MS-06		M:\2024 CONTRACTS\ES-24-XX SNAKE ROAD RENEWAL\DWG\PI\C\SHEETS\02_PIC_NC.DWG		
CONTRACT NO.		SHEET		
ES-26-04		3 OF 10		

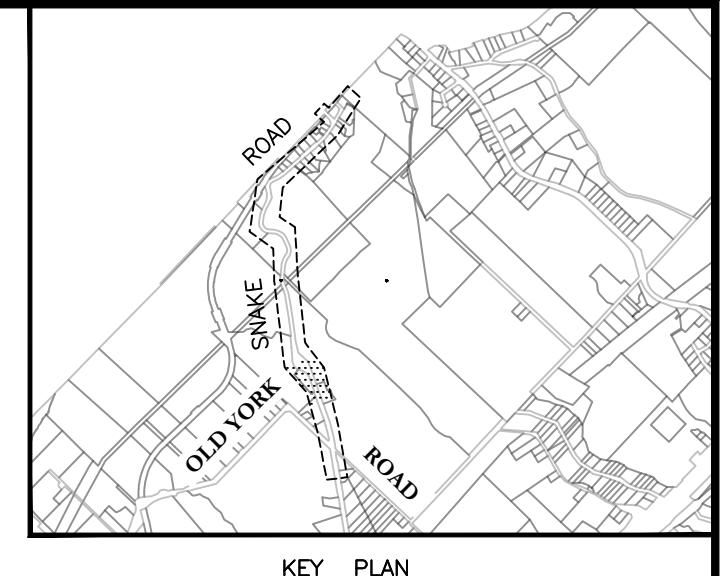
Drawing: M:\2024 CONTRACTS\ES-24-XX SNAKE ROAD_RENEWAL\DWG\PIC\SHEETS\02_PIC_NC.DWG
 Layout Tab: PIC-02
 Date: 03/30/2026 Time: 01:38:22 PM



SNAKE ROAD



SNAKE ROAD



LEGEND

ALL EXISTING WATER VALVES, CATCHBASINS & MAINTENANCE COVERS ARE TO BE ADJUSTED AS REQUIRED.

- PROPOSED FULL DEPTH ASPHALT
- PROPOSED TOPSOIL AND SOD
- PROPOSED ASPHALT DRIVEWAY
- PROPOSED GRAVEL DRIVEWAY
- PROPOSED ASPH. PAVED SWALE
- PROPOSED CONCRETE CURB AND GUTTER
- PROPOSED GUIDERAIL
- NEW FRAME AND COVER (CATCHBASIN)
- PROPOSED DITCH INLET

1	MAR 26	T.Z.	ISSUED FOR P.I.C. REVIEW		
No.	DATE	BY	REVISIONS		
CHECKED	C.O.	CHECKED	J.Y.	DATE	MAR 2026
SCALE		5	2.5	0	5
		1	.5	0	1
				HORIZ. 1:250	VERT N/A

APPROVALS		STAMP
MUNICIPAL		
DIRECTOR OF ENGINEERING SERVICES		
DATE		

DRAWING NOT TO SCALE UNLESS PLOTTED ON 24" X 36" PAPER

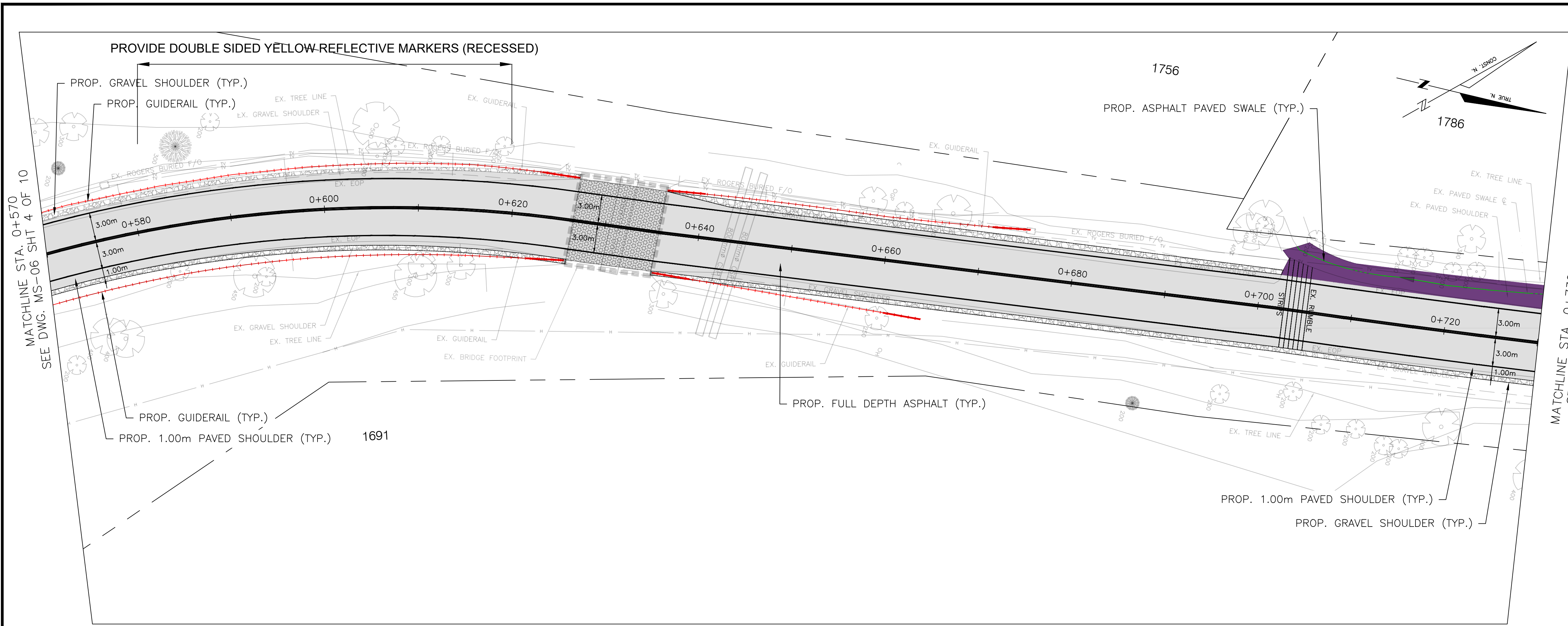
CITY OF Burlington
Engineering Services

TITLE **SNAKE ROAD MINOR RECONSTRUCTION**
Old York Road to City Limits
Proposed Works Plan

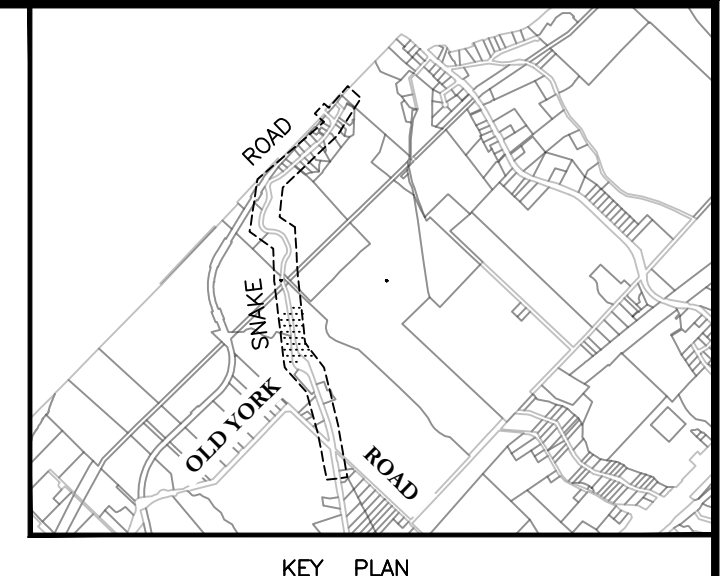
MUNICIPAL DRAWING NO. MS-06	CAD FILENAME M:\2024 CONTRACTS\ES-24-XX SNAKE ROAD_RENEWAL\DWG\PIC\SHEETS\02_PIC_NC.DWG
CONTRACT NO. ES-26-04	SHEET 4 OF 10

Issued for Tender: XXX xx, 2026
 Issued for CONSTRUCTION: XXX xx, 2026
 SNAKE ROAD MINOR RECONSTRUCTION
 ES-26-04

Drawing: M:\2024 CONTRACTS\ES-24-XX SNAKE ROAD RENEWAL\DWG\PICS\PICS\02_PIC_NC.DWG
 Layout Tab: PIC-03
 Date: 03/20/2026 Time: 02:51:34 PM



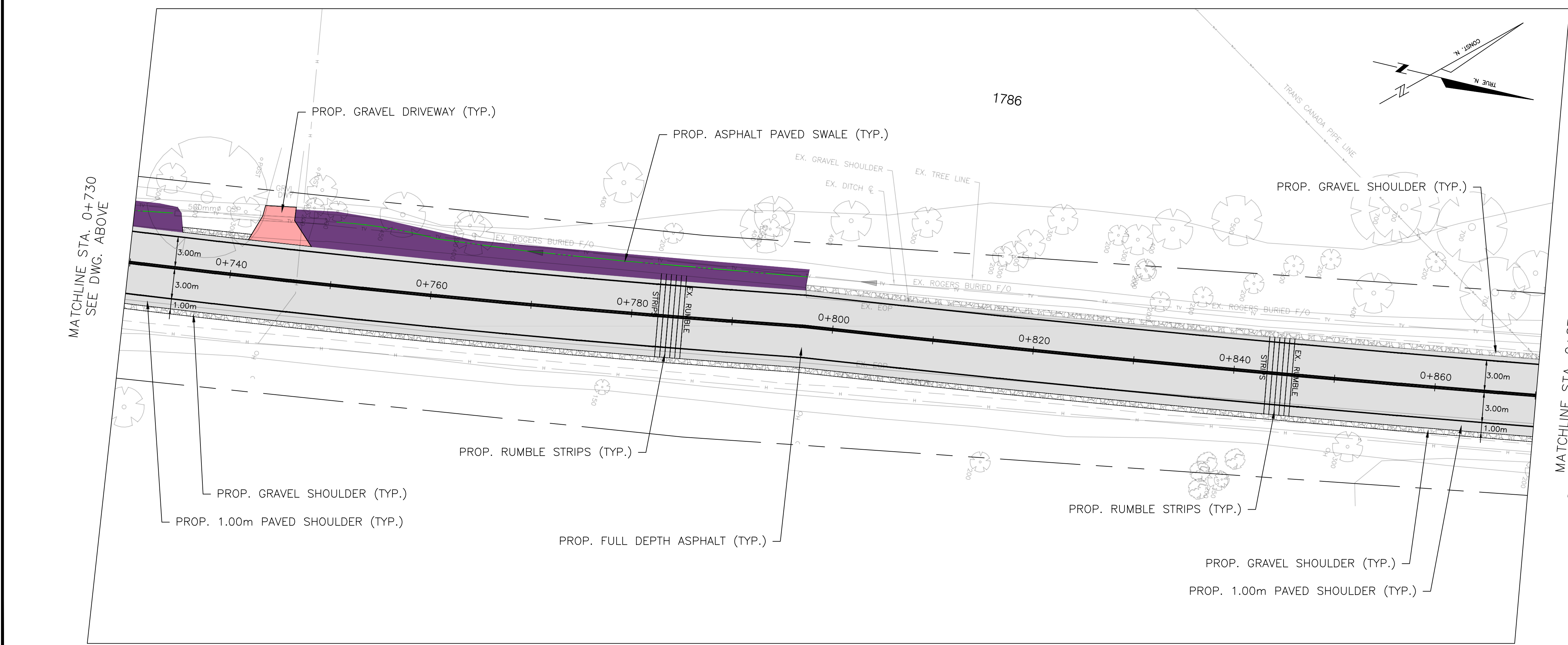
SNAKE ROAD



LEGEND

ALL EXISTING WATER VALVES, CATCHBASINS & MAINTENANCE COVERS ARE TO BE ADJUSTED AS REQUIRED.

- PROPOSED FULL DEPTH ASPHALT
- PROPOSED TOPSOIL AND SOD
- PROPOSED ASPHALT DRIVEWAY
- PROPOSED GRAVEL DRIVEWAY
- PROPOSED ASPH. PAVED SWALE
- PROPOSED CONCRETE CURB AND GUTTER
- PROPOSED GUIDERAIL
- NEW FRAME AND COVER (CATCHBASIN)
- PROPOSED DITCH INLET

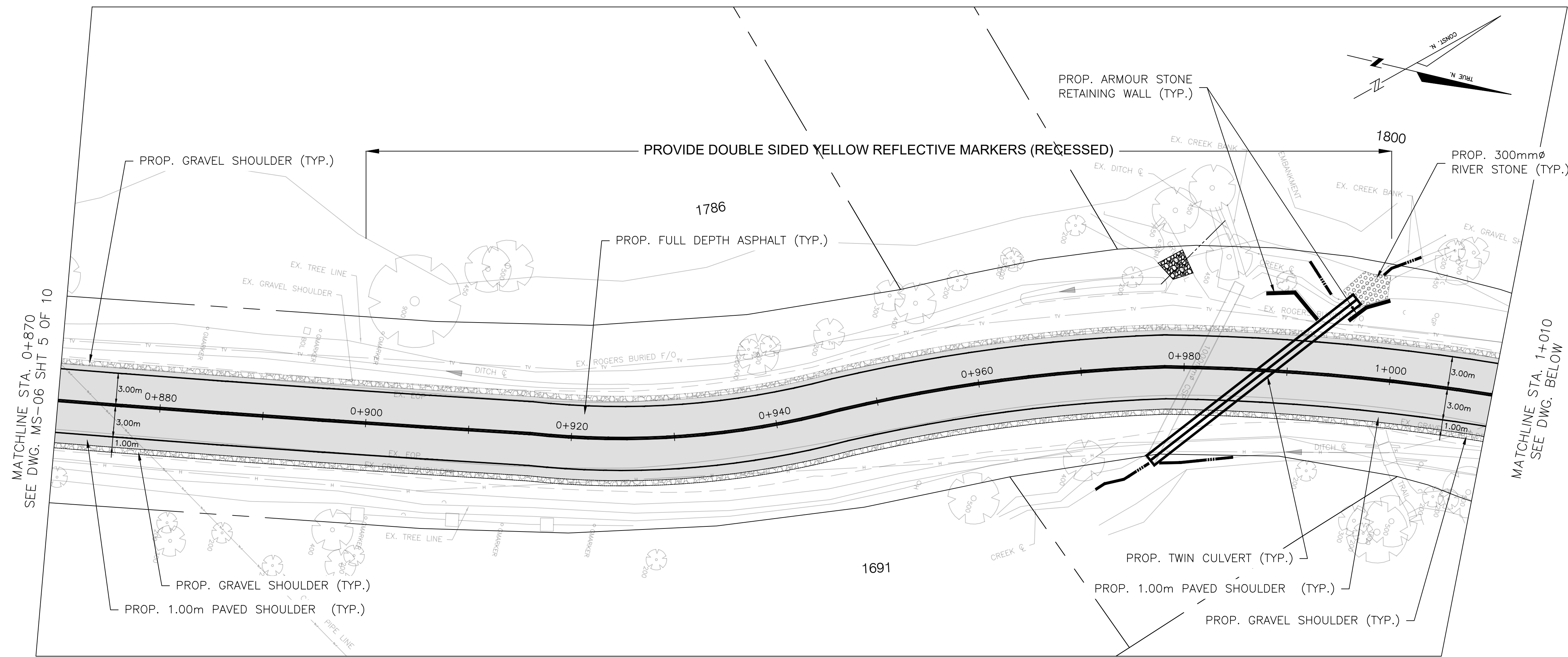


SNAKE ROAD

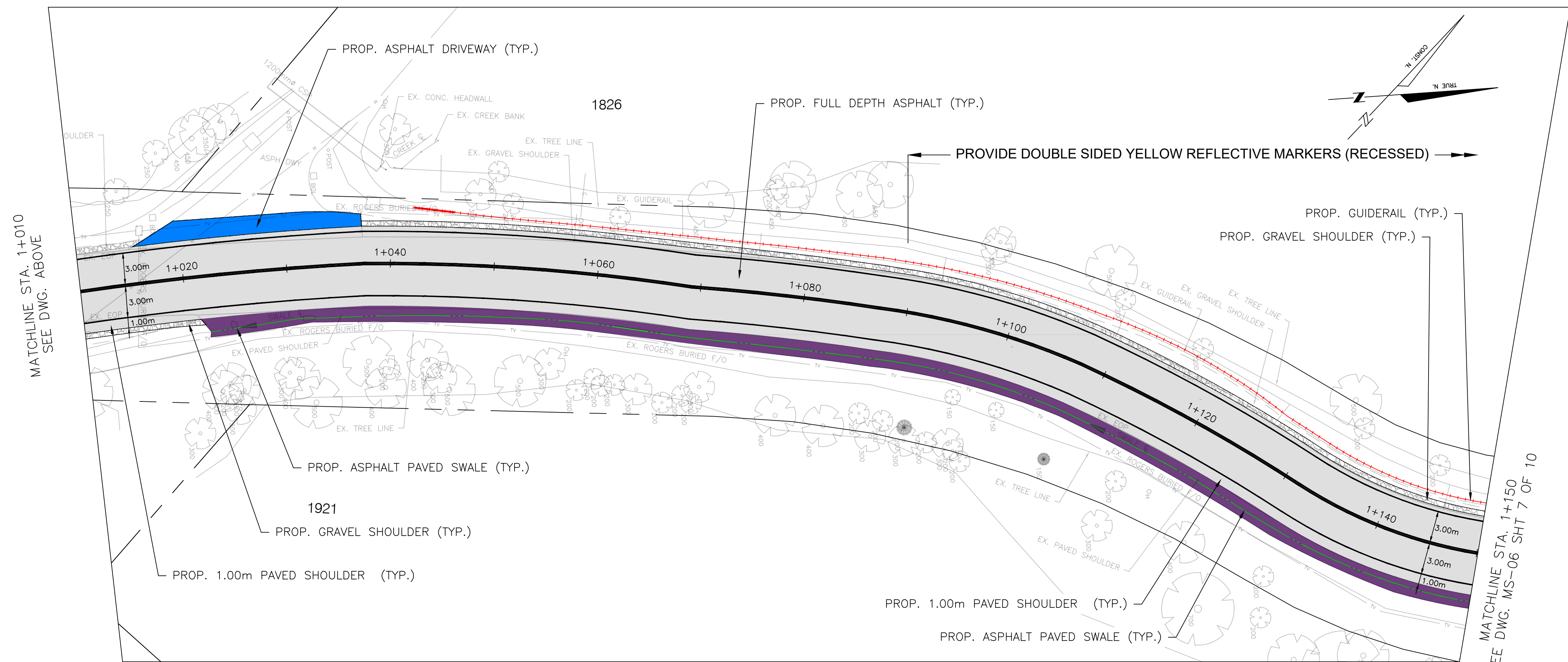
1	MAR 26	T.Z.	ISSUED FOR P.I.C. REVIEW			
No.	DATE	BY	REVISIONS			
CHECKED	C.O.	CHECKED	J.Y.	DATE	MAR 2026	
SCALE					HORIZ. 1:250 VERT N/A	
APPROVALS			STAMP			
MUNICIPAL						
DIRECTOR OF ENGINEERING SERVICES						
DATE						
DRAWING NOT TO SCALE UNLESS PLOTTED ON 24" X 36" PAPER						
TITLE SNAKE ROAD MINOR RECONSTRUCTION Old York Road to City Limits Proposed Works Plan						
MUNICIPAL DRAWING NO.			CAD FILENAME			
MS-06			M:\2024 CONTRACTS\ES-24-XX SNAKE ROAD RENEWAL\DWG\PICS\PICS\02_PIC_NC.DWG			
CONTRACT NO.			SHEET			
ES-26-04			5 OF 10			

Issued for Tender: XXX xx, 2026
 Issued for CONSTRUCTION: XXX xx, 2026
 SNAKE ROAD MINOR RECONSTRUCTION
 ES-26-04

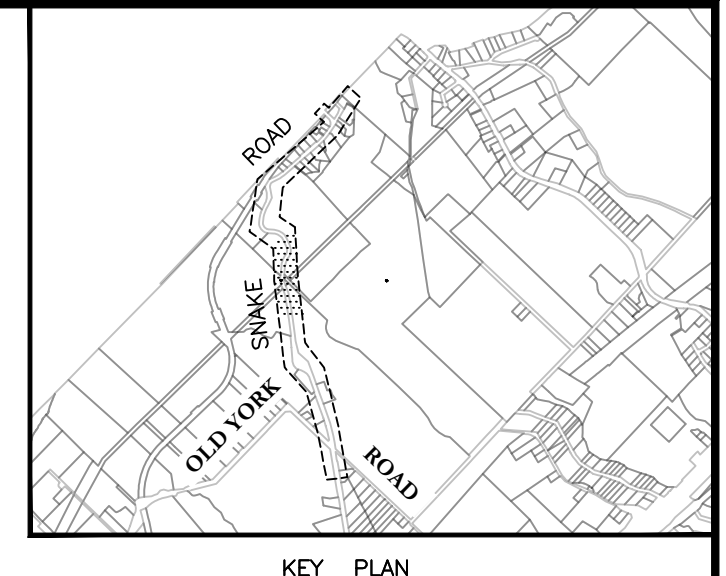
Drawing: M:\2024 CONTRACTS\ES-24-XX SNAKE ROAD RENOVATION\DWG\PICTURE SHEETS\02_PIC_NC.DWG
 Layout Tab: PIC-04
 Date: 03/30/2026 Time: 02:14:18 PM



SNAKE ROAD



SNAKE ROAD



LEGEND

- ALL EXISTING WATER VALVES, CATCHBASINS & MAINTENANCE COVERS ARE TO BE ADJUSTED AS REQUIRED.
- PROPOSED FULL DEPTH ASPHALT
 - PROPOSED TOPSOIL AND SOD
 - PROPOSED ASPHALT DRIVEWAY
 - PROPOSED GRAVEL DRIVEWAY
 - PROPOSED ASPH. PAVED SWALE
 - PROPOSED CONCRETE CURB AND GUTTER
 - PROPOSED GUIDERAIL
 - NEW FRAME AND COVER (CATCHBASIN)
 - PROPOSED DITCH INLET

No.	DATE	BY	ISSUED FOR P.I.C. REVIEW	REVISIONS
1	MAR 26	T.Z.	ISSUED FOR P.I.C. REVIEW	

CHECKED	C.O.	CHECKED	J.Y.	DATE
				MAR 2026

SCALE:
5
2.5
0
5
5
 HORIZ. 1:250
 VERT. N/A

APPROVALS	STAMP
MUNICIPAL	
DIRECTOR OF ENGINEERING SERVICES	
DATE	

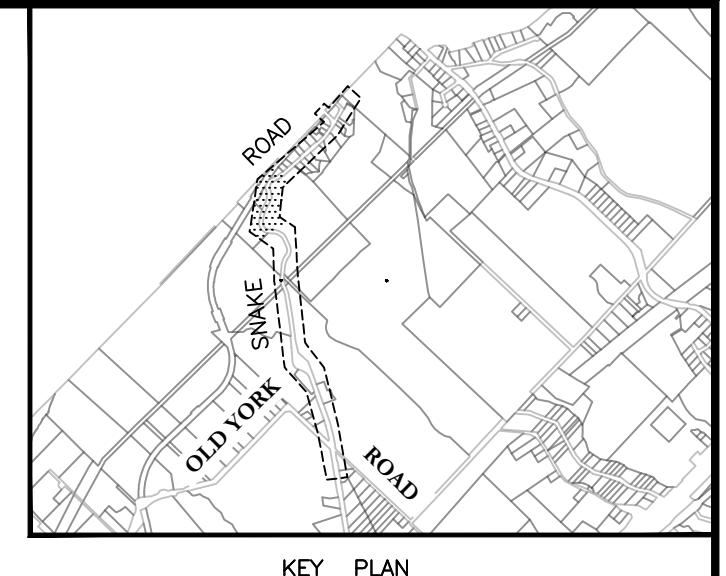
DRAWING NOT TO SCALE UNLESS PLOTTED ON 24" X 36" PAPER

CITY OF Burlington
Engineering Services

TITLE: **SNAKE ROAD MINOR RECONSTRUCTION**
Old York Road to City Limits
Proposed Works Plan

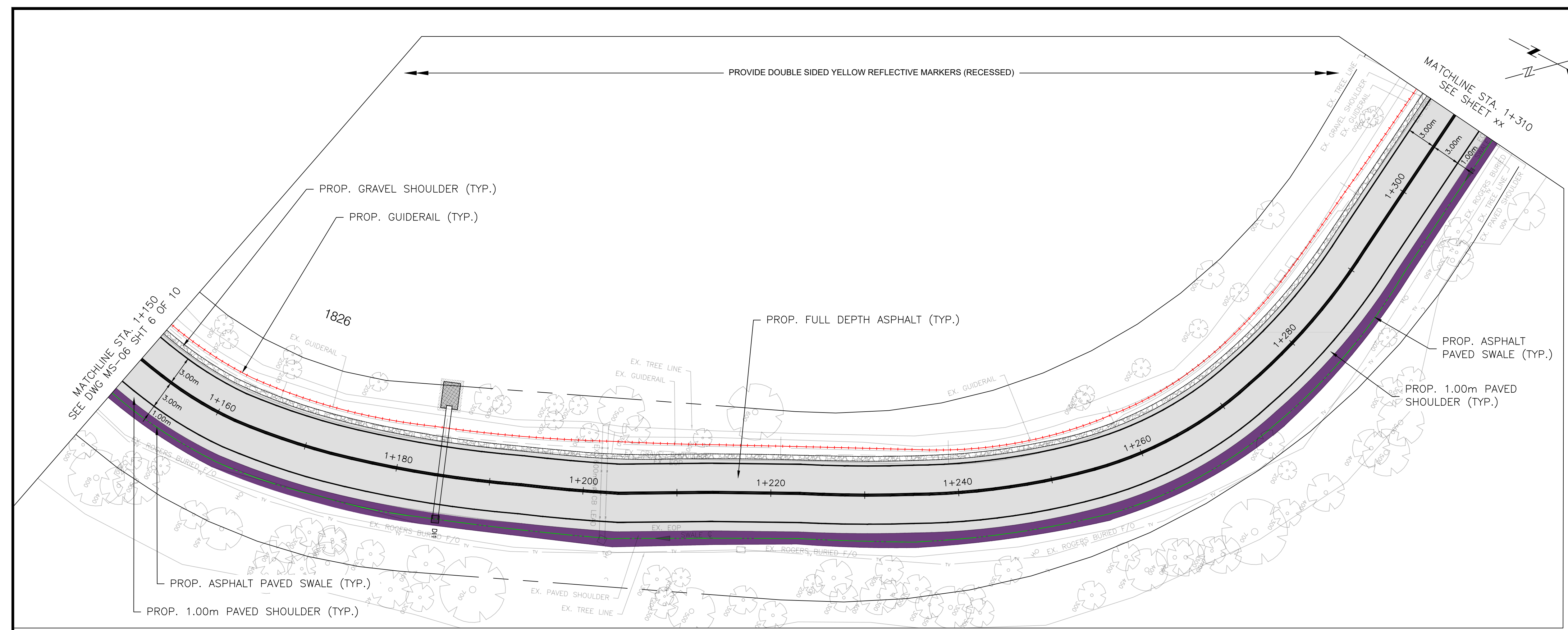
MUNICIPAL DRAWING NO. MS-06	CAD FILENAME M:\2024 CONTRACTS\ES-24-XX SNAKE ROAD RENOVATION\DWG\PICTURE SHEETS\02_PIC_NC.DWG
CONTRACT NO. ES-26-04	SHEET 6 OF 10

Issued for Tender: XXX xx, 2026
 Issued for CONSTRUCTION: XXX xx, 2026
 SNAKE ROAD MINOR RECONSTRUCTION
 ES-26-04

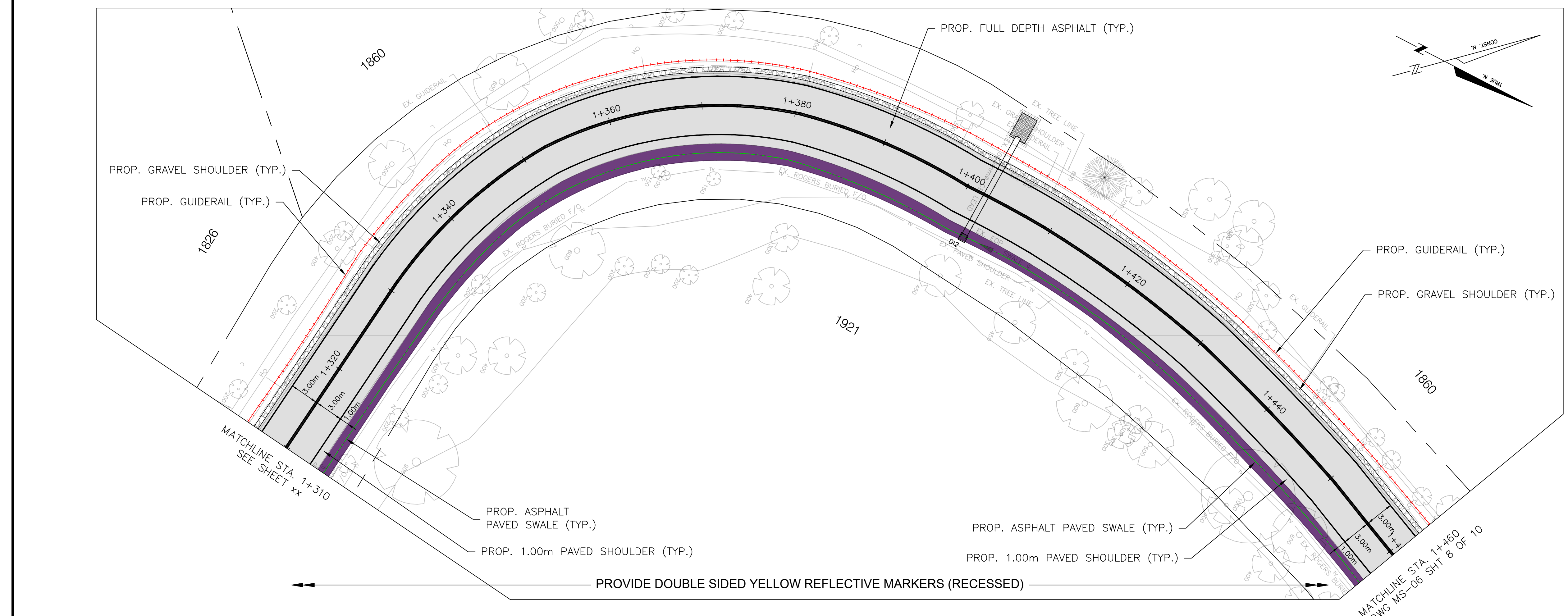


LEGEND

- ALL EXISTING WATER VALVES, CATCHBASINS & MAINTENANCE COVERS ARE TO BE ADJUSTED AS REQUIRED.
- PROPOSED FULL DEPTH ASPHALT
- PROPOSED TOPSOIL AND SOD
- PROPOSED ASPHALT DRIVEWAY
- PROPOSED GRAVEL DRIVEWAY
- PROPOSED ASPH. PAVED SWALE
- PROPOSED CONCRETE CURB AND GUTTER
- PROPOSED GUIDERAIL
- NEW FRAME AND COVER (CATCHBASIN)
- PROPOSED DITCH INLET



SNAKE ROAD



SNAKE ROAD

1	MAR 26	T.Z.	ISSUED FOR P.I.C. REVIEW		
No.	DATE	BY	REVISIONS		
CHECKED	C.O.	CHECKED	J.Y.	DATE	MAR 2026
SCALE			5 2.5 0 5	HORIZ. 1:250	
			1 .5 0 1	VERT N/A	

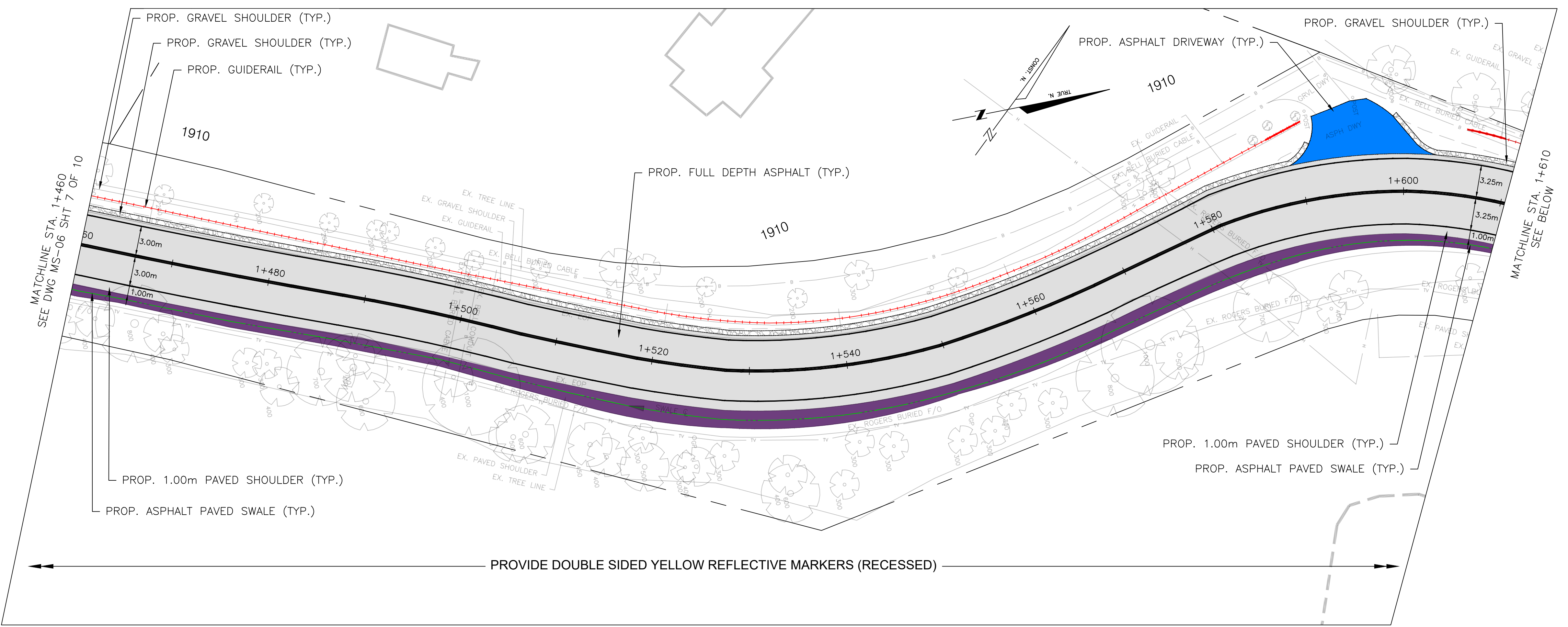
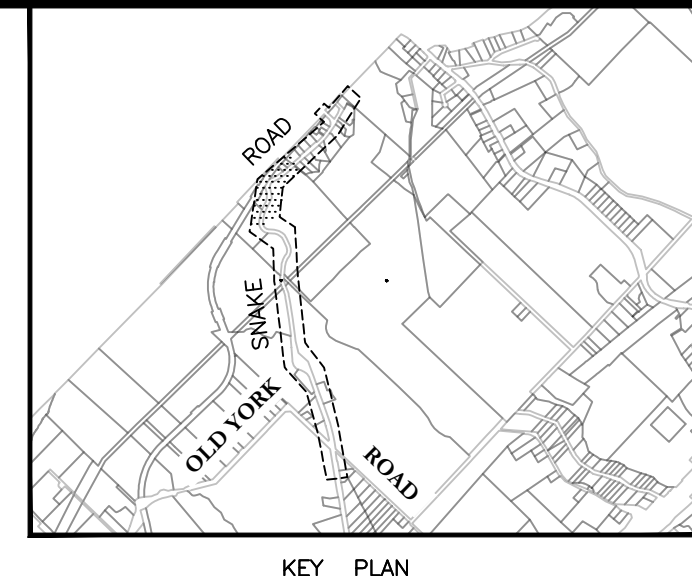
APPROVALS		STAMP
MUNICIPAL		
DIRECTOR OF ENGINEERING SERVICES		
DATE		

DRAWING NOT TO SCALE UNLESS PLOTTED ON 24" X 36" PAPER



TITLE **SNAKE ROAD MINOR RECONSTRUCTION**
Old York Road to City Limits
Proposed Works Plan

MUNICIPAL DRAWING NO.	CAD FILENAME
MS-06	M:\2024 CONTRACTS\ES-24-XX SNAKE ROAD RENEWAL\DWG\PC\PC\SHEETS\02_PIC_NC.DWG
CONTRACT NO.	SHEET 7 OF 10
ES-26-04	

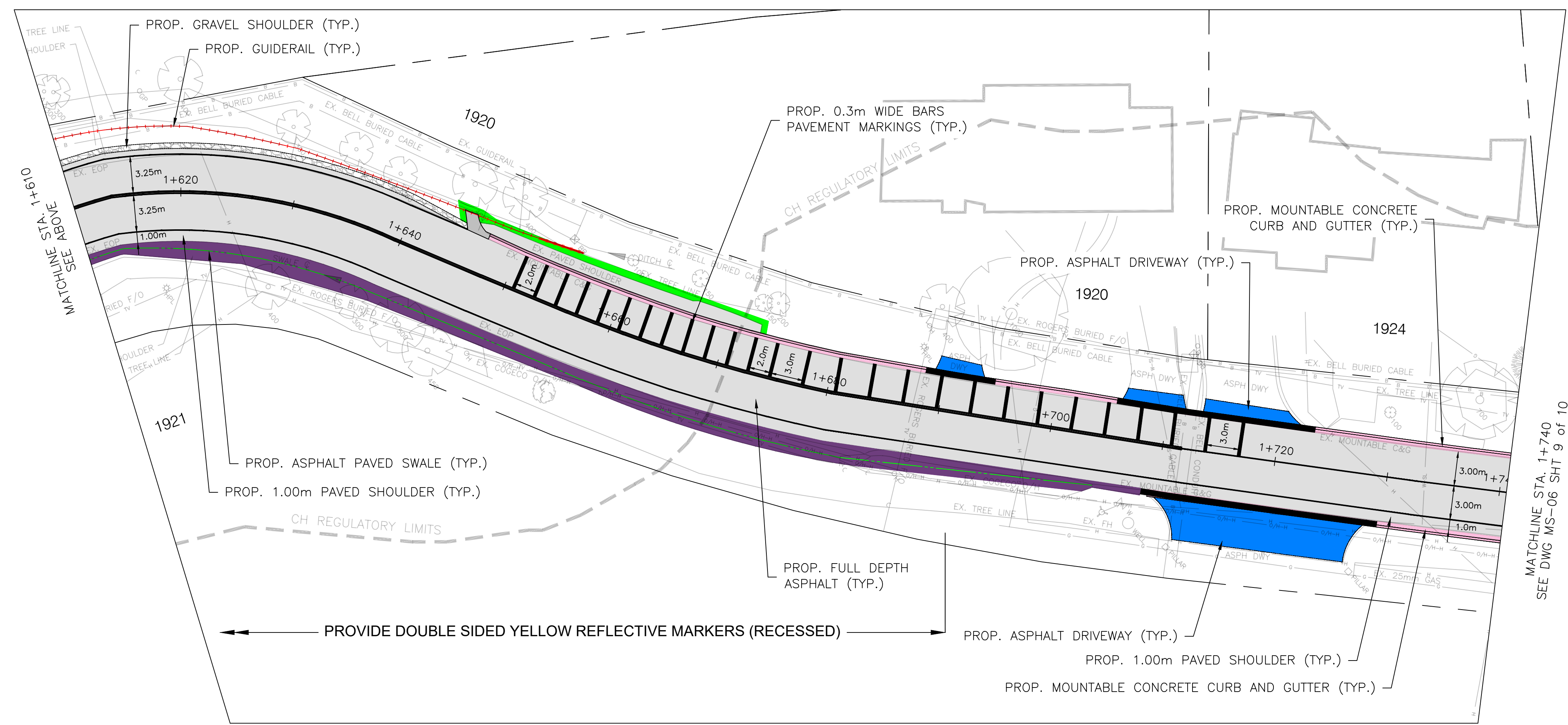


SNAKE ROAD

LEGEND

ALL EXISTING WATER VALVES, CATCHBASINS & MAINTENANCE COVERS ARE TO BE ADJUSTED AS REQUIRED.

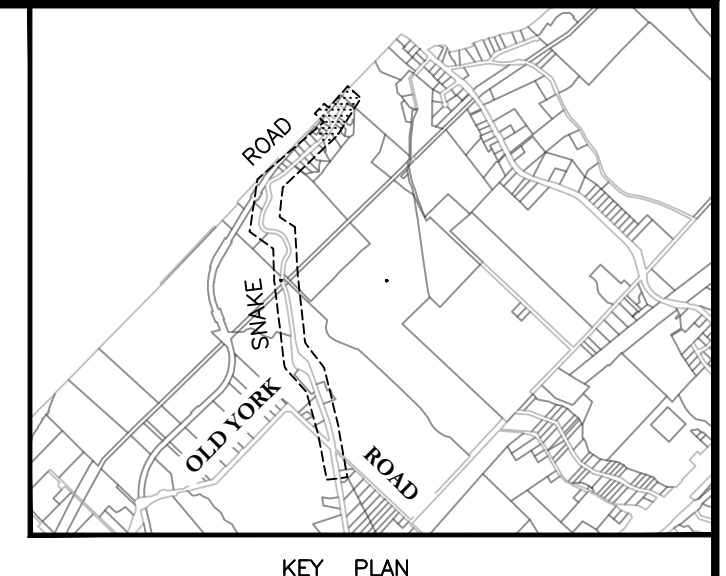
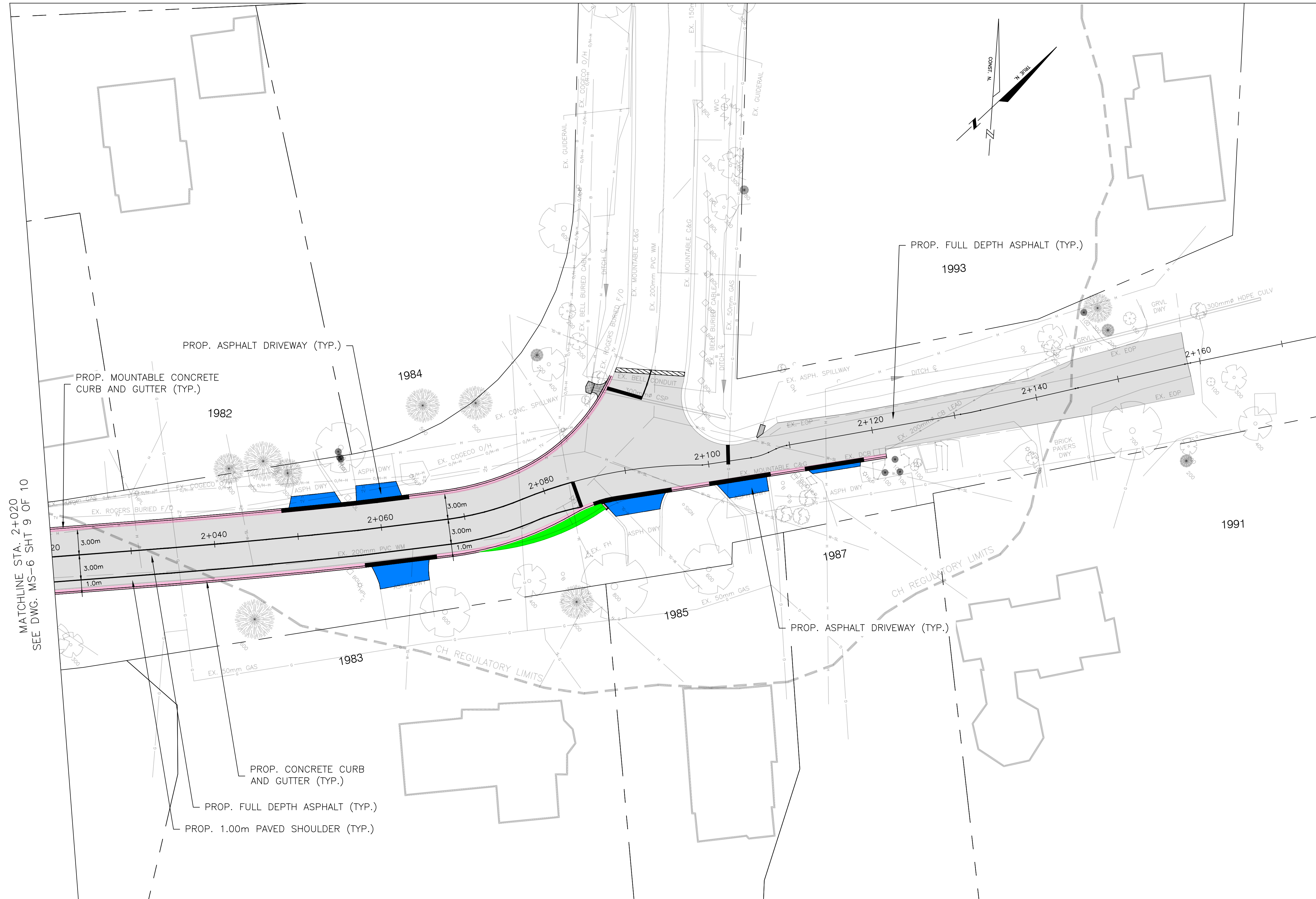
- PROPOSED FULL DEPTH ASPHALT
- PROPOSED TOPSOIL AND SOD
- PROPOSED ASPHALT DRIVEWAY
- PROPOSED GRAVEL DRIVEWAY
- PROPOSED ASPH. PAVED SWALE
- PROPOSED CONCRETE CURB AND GUTTER
- PROPOSED GUIDERAIL
- NEW FRAME AND COVER (CATCHBASIN)
- PROPOSED DITCH INLET



SNAKE ROAD

1	MAR 26	T.Z.	ISSUED FOR P.I.C. REVIEW		
No.	DATE	BY	REVISIONS		
CHECKED	C.O.	CHECKED	J.Y.	DATE	MAR 2026
SCALE		5 2.5 0 5		HORIZ. 1:250	
				VERT. N/A	
APPROVALS			STAMP		
MUNICIPAL					
DIRECTOR OF ENGINEERING SERVICES					
DATE					
DRAWING NOT TO SCALE UNLESS PLOTTED ON 24" X 36" PAPER					
TITLE SNAKE ROAD MINOR RECONSTRUCTION Old York Road to City Limits Proposed Works Plan					
MUNICIPAL DRAWING NO. MS-06			CAD FILENAME M:\2024 CONTRACTS\ES-24-XX SNAKE ROAD RENEWAL\DWG\PIC\SHEETS\02_PIC_NC.DWG		
CONTRACT NO. ES-26-04			SHEET 8 OF 10		

Drawing: M:\2024 CONTRACTS\ES-24-XX SNAKE ROAD_RENEWAL\DWG\PC\02_SHEETS\02_PIC_NC.DWG
 Layout Tab: PIC-08
 Date: 03/20/2026 Time: 02:41:32 PM



LEGEND

- ALL EXISTING WATER VALVES, CATCHBASINS & MAINTENANCE COVERS ARE TO BE ADJUSTED AS REQUIRED.
- PROPOSED FULL DEPTH ASPHALT
 - PROPOSED TOPSOIL AND SOD
 - PROPOSED ASPHALT DRIVEWAY
 - PROPOSED GRAVEL DRIVEWAY
 - PROPOSED ASPH. PAVED SWALE
 - PROPOSED CONCRETE CURB AND GUTTER
 - PROPOSED GUIDERAIL
 - NEW FRAME AND COVER (CATCHBASIN)
 - PROPOSED DITCH INLET

MATCHLINE STA. 2+020
SEE DWG. MS-6 SHT 9 OF 10

SNAKE ROAD

No.	DATE	BY	REVISIONS
1	MAR 26	T.Z.	ISSUED FOR P.I.C. REVIEW

CHECKED	C.O.	CHECKED	J.Y.	DATE
				MAR 2026

SCALE: HORIZ. 1:250
VERT. N/A

APPROVALS		STAMP
MUNICIPAL		
DIRECTOR OF ENGINEERING SERVICES		
DATE		

DRAWING NOT TO SCALE UNLESS PLOTTED ON 24" X 36" PAPER

CITY OF Burlington
Engineering Services

TITLE: **SNAKE ROAD MINOR RECONSTRUCTION**
Old York Road to City Limits
Proposed Works Plan

MUNICIPAL DRAWING NO. MS-06	CAD FILENAME M:\2024 CONTRACTS\ES-24-XX SNAKE ROAD_RENEWAL\DWG\PC\02_SHEETS\02_PIC_NC.DWG
CONTRACT NO. ES-26-04	SHEET 10 OF 10

Issued for Tender: XXX xx, 2026
 Issued for CONSTRUCTION: XXX xx, 2026
 SNAKE ROAD MINOR RECONSTRUCTION
 ES-26-04