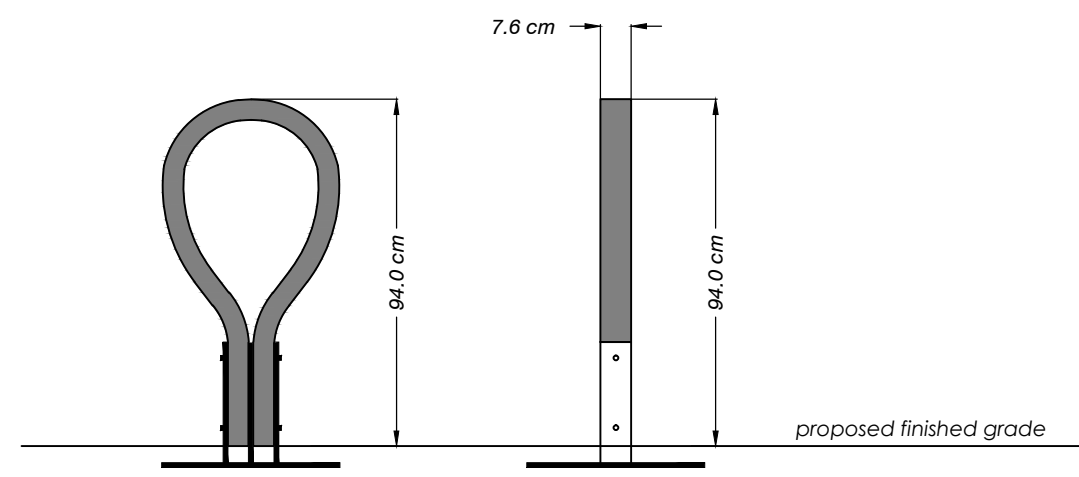
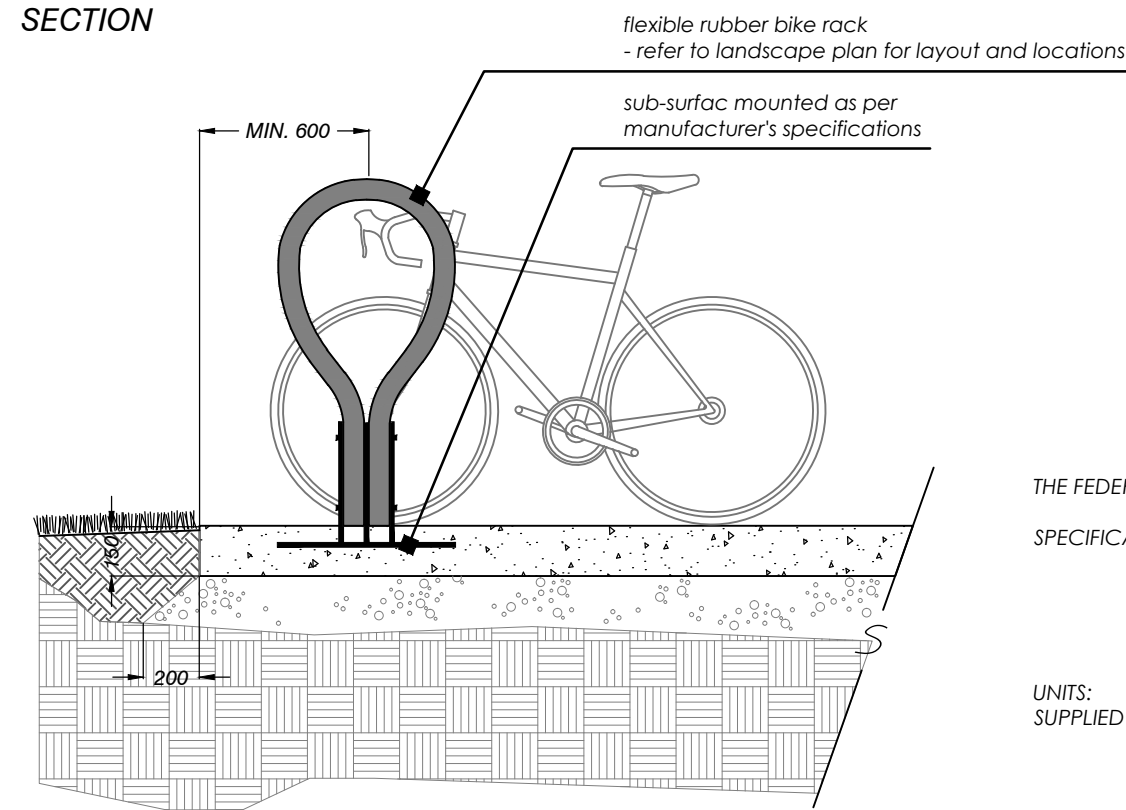


SECTIONS



SECTION

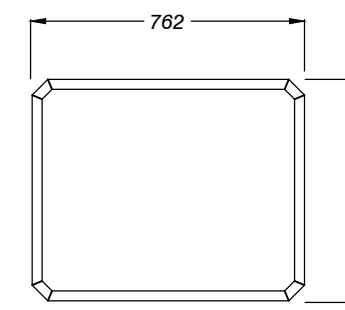


THE FEDERAL INC. BIKE RACK - THE LOOP (2 bike capacity)
 SPECIFICATIONS: Flexible, durable, UV resistant EPDM rubber with two internal high-strength steel cables. Powder coated steel anchoring base.
 Weight: 35lbs
 Anchoring: sub-surface mounted
 Integral colour: green
 UNITS: 4, see landscape plan for locations and layout
 SUPPLIED BY: THE FEDERAL INC. or approved equal
 P: 01-869-1726
 E: hako@thefederal.co

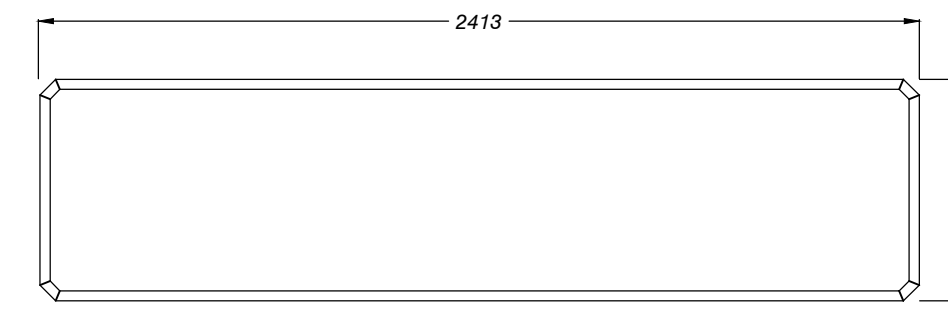
Bike Rack by The Federal Inc. - or approved equal

D4

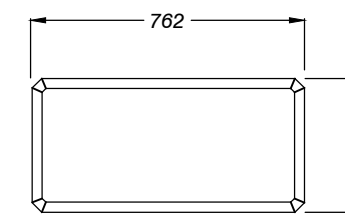
PLAN - SHORT



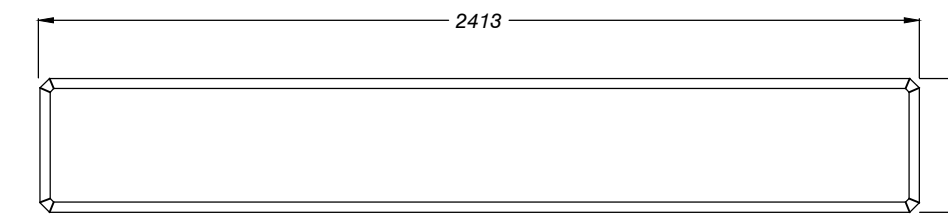
PLAN - LONG



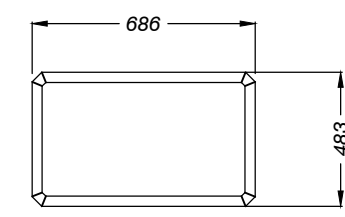
ELEVATION - SHORT



ELEVATION - LONG



SECTION

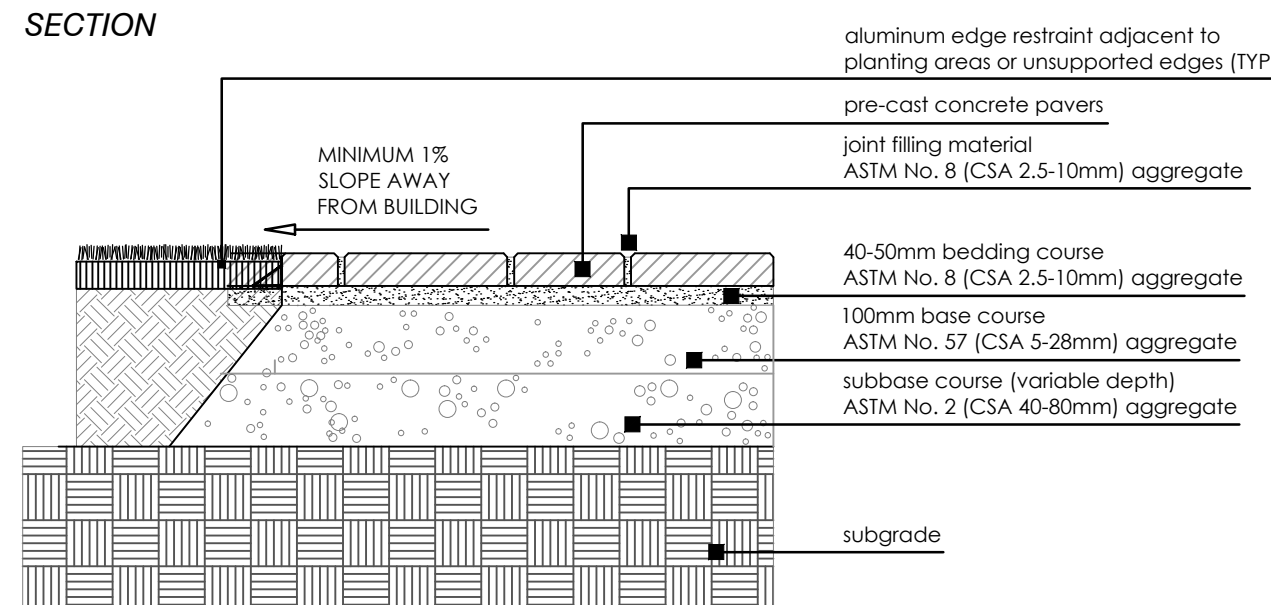


LANDSCAPE FORMS BENCH - FORTUNATO
 MATERIALS: Reinforced cast stone, soft acid-etched/waterproofed finish.
 COLOR: Grey, black, white, or beige
 UNITS: 13 short (50"; 762mm)
 3 long (95"; 2413mm)
 NOTES: see landscape plan for layout and locations
 Cast stone products do not require any specific maintenance during their estimated lifespan of more than 30 years, delivered assembled.
 SUPPLIED BY: landscape forms - or approved equal
 431 Lawndale Ave.
 Kalamazoo, MI 49048
 T: 800-430-6209
 F: 269-381-3455
 E: specify@landscapeforms.com

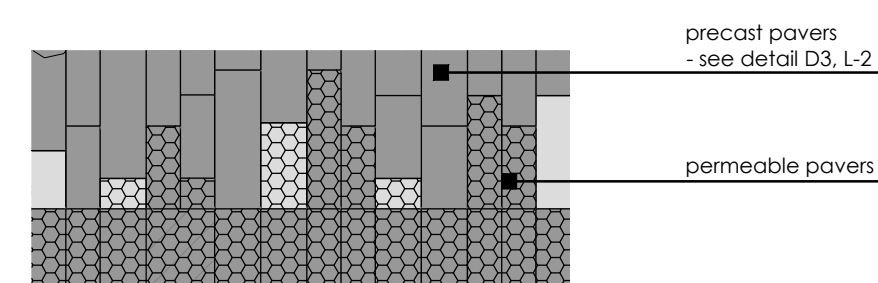
Landscape Forms Bench - or approved equal

D5

SECTION



PLAN - PATTERN



NOTES:

1. Paver types are as follows (or approved equal):

DESCRIPTION	PATTERN	SIZE	COLOR
Oaks Pavers - Enviro Midori	Field	120mm x 120mm	Marble Grey Herringbone Bundle
Oaks Pavers - Enviro Midori	Field	120mm x 240mm	Marble Grey
2. Unit pavers are 80mm thick. Contractor to provide samples on site to be approved by Landscape Architect and/or Owner.
3. Pattern to be 'mixed' as shown on drawing. Contractor not to follow Presidio's predetermined patterns. Contractor to provide sample layout to Landscape Architect onsite for approval prior to completing paving.

Permeable Pre-Cast Concrete Unit Pavers

D6

#	date	description
1	2015-09-29	issued for rezoning/OPA

stamp



adesso design inc.
landscape architecture

218 Locke Street South, 2nd Floor
Hamilton, ON L8P 4B4
t. 905.526.8876
www.adessodesigninc.ca

client
Adi Developments Inc

municipality
City of Burlington
Regional Municipality of Halton

project
374 Martha Street

sheet
Details

date: June, 2014
drawn: mm
checked: MP
project #: 14-048

L-3