

GENERAL NOTES:

- CONSTRUCTION OF SEWERS, AND RELATED APPURTENANCES SHALL BE UNDERTAKEN IN ACCORDANCE WITH THE CURRENT STANDARD DRAWINGS OF THE CITY OF BURLINGTON, THE REGIONAL MUNICIPALITY OF HALTON AND THE ONTARIO PROVINCIAL STANDARD DRAWINGS (OPSD). THE TOWN AND THE REGION'S DRAWINGS SHALL TAKE PRECEDENCE OVER THE OPSD DRAWINGS.
- ONTARIO PROVINCIAL STANDARD DRAWINGS TO BE READ IN CONJUNCTION WITH THE REGION OF HALTON REVISIONS.
- RELOCATION OF EXISTING SERVICES AND/OR UTILITIES SHALL BE CONSTRUCTED AS SHOWN ON THE DRAWINGS OR AS DIRECTED BY THE ENGINEER.
- THE CONTRACTOR SHALL OBTAIN ALL PERMITS FOR CONSTRUCTION.
- FOR ALL SEWERS AND WATERMAIN IN FILL SECTIONS, THE COMPACTION SHALL BE VERIFIED PRIOR TO LAYING OF PIPE.
- NO SUBSTITUTIONS WILL BE ALLOWED WITHOUT WRITTEN APPROVAL FROM THE REGIONAL ENGINEER, CITY OF BURLINGTON OR THE ENGINEER.
- ALL EXCAVATION TO BE BACKFILLED WITH SELECT NATIVE MATERIAL, APPROVED BY THE ENGINEER, TO 95% SPD.
- THE CONTRACTOR IS RESPONSIBLE FOR INSTALLING AND MAINTAINING SILT CONTROL DEVICES AS SHOWN ON THE DRAWINGS AND AS DIRECTED BY THE ENGINEER.
- TREE PROTECTION PROCEDURES TO BE IMPLEMENTED IN ACCORDANCE WITH CITY OF BURLINGTON STANDARDS.
- THESE PLANS ARE NOT TO BE USED FOR CONSTRUCTION UNTIL SEALED BY THE ENGINEER AND INDICATED ISSUED FOR CONSTRUCTION ON THE DRAWING.
- THIS/THESE PLAN(S) IS/ARE NOT TO BE REPRODUCED IN WHOLE OR IN PART WITHOUT THE WRITTEN PERMISSION OF S. LLEWELLYN AND ASSOCIATES LIMITED.
- INFORMATION REGARDING ANY EXISTING SERVICES AND/OR UTILITIES SHOWN ON THE APPROVED SET OF CONSTRUCTION DRAWINGS ARE FURNISHED AS THE BEST AVAILABLE INFORMATION. THE CONTRACTOR SHALL INTERPRET THIS INFORMATION AS HE SEES FIT WITH THE UNDERSTANDING THAT THE OWNER AND HIS AGENTS DISCLAIM ALL RESPONSIBILITY FOR ITS ACCURACY AND /OR SUFFICIENCY. THE CONTRACTOR SHALL ASSUME LIABILITY FOR ANY DAMAGE TO EXISTING WORKS.
- EXISTING TOPOGRAPHIC AND LEGAL INFORMATION TAKEN FROM PLANS PREPARED BY A.T. MCLAREN LIMITED, FEBRUARY 12, 2016.
- SITE PLAN INFORMATION TAKEN FROM PLANS PREPARED BY GRAZIANI+CORAZZA ARCHITECTS INC. DATED JANUARY 18, 2021.
- THIS/THESE PLAN(S) TO BE READ IN CONJUNCTION WITH THE FUNCTIONAL SERVICING (FSR) REPORT PREPARED BY S. LLEWELLYN AND ASSOCIATES LIMITED.
- THIS PLAN TO BE USED FOR SERVICING AND GRADING ONLY, FOR BUILDING LOCATION REFER TO THE SITE PLAN.
- MUNICIPAL APPROVAL OF THESE DRAWINGS IS FOR MATERIAL AND COMPLIANCE WITH CITY OF BURLINGTON AND PROVINCIAL SPECIFICATIONS AND STANDARDS ONLY. APPROVAL AND INSPECTION OF THE WORKS BY THE CITY OF BURLINGTON STAFF DOES NOT CERTIFY THE LINE AND GRADE OF THE WORKS NOR RELIEVE THE CONTRACTOR OF CERTIFICATION OF ALL WORKS BY THE OWNER'S ENGINEER.
- ALTERNATE MATERIALS MAY BE ACCEPTABLE PROVIDED WRITTEN APPROVAL HAS FIRST BEEN OBTAINED FROM THE CITY OF BURLINGTON AND THE ENGINEER.
- THE APPROVAL OF THIS PLAN DOES NOT EXEMPT THE OWNER'S BONDED CONTRACTOR FROM THE REQUIREMENTS TO OBTAIN THE VARIOUS PERMITS/APPROVALS NORMALLY REQUIRED TO COMPLETE A CONSTRUCTION PROJECT, SUCH AS, BUT NOT LIMITED TO THE FOLLOWING:
 - ROAD CUT PERMITS
 - SEWER PERMITS
 - APPROACH APPROVAL PERMITS
 - RELOCATION OF SERVICES
 - COMMITTEE OF ADJUSTMENT
 - ENCROACHMENT AGREEMENTS
- PRIOR TO CONSTRUCTION THE CONTRACTOR MUST:
 - CHECK AND VERIFY ALL DIMENSIONS AND EXISTING ELEVATIONS WHICH INCLUDE BUT ARE NOT LIMITED TO THE BENCHMARK ELEVATIONS, EXISTING SERVICE CONNECTIONS, EXISTING INVERTS AND REPORT FINDINGS IN WRITING TO THE ENGINEER.
 - OBTAIN ALL UTILITY LOCATES AND REQUIRED PERMITS AND LICENSES.
 - VERIFY ALL FINISHED FLOOR ELEVATIONS AND BASEMENT FLOOR ELEVATIONS WHICH MY APPEAR ON THESE PLANS COMPLY WITH THE FINAL ARCHITECTURAL DRAWINGS.
 - CONFIRM ALL DRAWINGS USED FOR CONSTRUCTION ARE OF THE MOST RECENT REVISION.
 - NOTIFY THE ENGINEER OF THE PROPOSED CONSTRUCTION SCHEDULE FOR COORDINATION OF NECESSARY INSPECTIONS.
- THE CONTRACTOR IS RESPONSIBLE FOR CONTACTING THE ENGINEER 48 HOURS PRIOR TO THE COMMENCING SITE WORKS TO ARRANGE FOR INSPECTION. THE ENGINEER SHALL DETERMINE THE EXTENT OF INSPECTION AND TESTING REQUIRED FOR CERTIFICATION OF THE UNDERGROUND SERVICE INSTALLATION AS MANDATED BY THE ONTARIO BUILDING CODE DIVISION C, PART 1, SECTION 1.2.2, GENERAL REVIEW. FAILURE TO MAKE SUITABLE ARRANGEMENTS FOR INSPECTION WILL LEAD TO POST CONSTRUCTION TESTING AND INSPECTION AS DETERMINED BY THE ENGINEER, THE COSTS OF WHICH INCLUDING ANY DELAYS IN CONSTRUCTION SHALL BE BORNE BY THE CONTRACTOR. FULL PAYMENT FOR UNINSPECTED WORKS MAY BE WITHHELD UNTIL THE COMPLETION OF THE POST CONSTRUCTION INSPECTION AND TESTING TO THE SATISFACTION OF THE ENGINEER.
- INSPECTION BY THE OWNER'S ENGINEER IS FOR CERTIFICATION AND GENERAL CONFORMANCE PURPOSES AND DOES NOT CERTIFY LINE AND GRADE OR IMPLY AN ASSURANCE OF QUALITY CONTROL. THE CONTRACTOR SHALL BE RESPONSIBLE TO ENSURE THE INSTALLATION OF THE WORKS TO PROPER LINE, GRADE AND QUALITY TO CURRENT INDUSTRY STANDARDS.
- ANY UTILITY RELOCATIONS AND RESTORATIONS DUE TO THE DEVELOPMENT TO BE UNDERTAKEN AT THE EXPENSE OF THE OWNER/DEVELOPER AND SHALL BE COORDINATED BY THE CONTRACTOR.
- ALL RESTORATIONS AND RECONSTRUCTIONS SHALL BE TO COMPLETED TO MATCH EXISTING CONDITIONS OR BETTER AND ARE TO BE PERFORMED TO THE SATISFACTION OF THE ENGINEER AND THE CITY OF BURLINGTON.
- SERVICING CONTRACTOR TO MAINTAIN A "CONFINED TRENCH CONDITION" IN ALL SEWER AND WATERMAIN INSTALLATION TRENCHES.
- THE SITE SERVICING CONTRACTOR SHALL TERMINATE ALL SERVICES 1.0m FROM THE BUILDING FACE.
- NO BLASTING WILL BE PERMITTED.

ROADWORKS:

- APPROVED FILL, FREE OF DELETERIOUS AND ORGANIC MATERIAL AND BOULDERS SHALL BE COMPACTED TO A DRY DENSITY NOT LESS THAN 95% THAN THE STANDARD PROCTOR DENSITY. AFTER COMPACTION, SOIL DENSITY TESTS SHALL BE CONDUCTED TO ENSURE ADEQUATE COMPACTION AND STABILITY OF THE FILL AND TEST RESULTS SHALL BE SUBMITTED TO THE ENGINEER.
- SUBGRADE TO BE PROOF ROLLED PRIOR TO PLACEMENT OF SUB BASE. UNSUITABLE MATERIAL TO BE REMOVED AND REPLACED WITH SELECT FILL OR GRANULAR "B" AND COMPACTED TO 98% SPD.
- ASPHALTIC CONCRETE TO BE COMPACTED TO 97% MARSHALL DENSITY.
- PAVEMENT STRUCTURE FOR INTERNAL ROADS SHALL CONSIST OF COMPACTED THICKNESSES OF: 40mm HL3 SURFACE ASPHALT 60mm HL3 BASE BINDER ASPHALT 150mm GRANULAR "A" BASE COURSE 250mm GRANULAR "B" SUB-BASE COURSE
- BOULEVARDS TO BE SODDED WITH #1 NURSERY SOD ON A MINIMUM 100mm OF SELECT TOPSOIL.
- MANHOLE FRAMES AND COVERS AND WATER VALVE BOXES SHALL BE SET FLUSH WITH BASE COURSE ASPHALT AND ADJUSTED TO FINAL GRADE AFTER INSTALLATION OF SURFACE ASPHALT AS PER CITY OF BURLINGTON STANDARD DRAWINGS S-130.
- TRAFFIC CONTROL SHALL BE MAINTAINED AT ALL TIMES FOR WORKS ON EXISTING ROADWAYS TO THE SATISFACTION OF THE DIRECTOR OF ENGINEERING. THE EXPENSE FOR THE ERECTION OF SIGNS, DELINEATORS AND OTHER TRAFFIC CONTROL DEVICES SHALL BE BORNE BY THE CONTRACTOR.
- STANDARD PARKING SPACES SHALL BE 2.75m x 6.0m. ACCESSIBLE PARKING SPACES SHALL BE 2.75m x 6.0m AND SHALL HAVE AN ADJACENT ACCESS AISLE AT LEAST 2.0m WIDE AS PER CITY OF BURLINGTON ACCESSIBILITY DESIGN STANDARDS (SECTION 4.3.12).

GRADING NOTES:

- ALONG ADJOINING PROPERTIES GRADE TO MEET EXISTING OR PROPOSED ELEVATIONS WITH SODDED SLOPES (MIN. 3H TO 1V) AND/OR RETAINING WALLS AS SPECIFIED.
- ALL RETAINING WALLS, WALKWAYS, CURBS, ETC., SHALL BE PLACED A MIN. OF 0.45m OFF THE PROPERTY LINE. ALL WALLS 1.0m OR HIGHER SHALL BE DESIGNED BY A P.E.N.G.
- SHOULD A RETAINING WALL BE REQUIRED, THE TOP OF WALL ELEVATIONS SHALL BE SET 150mm ABOVE THE PROPOSED SIDE YARD SWALES.
- RETAINING WALLS 0.6m IN HEIGHT OR GREATER REQUIRE CONSTRUCTION OF A FENCE OR GUARD RAIL AT THE TOP OF THE REAR OF THE WALL. GUARDS FOR RETAINING WALLS SHALL BE DESIGNED AND CONSTRUCTED IN ACCORDANCE WITH THE REQUIREMENTS OF EXTERIOR GUARDS AS CONTAINED IN THE ONTARIO BUILDING CODE.
- TOP OF FOUNDATION WALLS FOR BUILDINGS SHALL BE 150mm (MIN) ABOVE FINISHED GRADE.
- DRIVEWAY SLOPES SHALL NOT BE LESS THAN 2% AND NOT MORE THAN 7.0% REVERSED SLOPED DRIVEWAYS IN NEW DEVELOPMENTS ARE NOT PERMITTED.
- IF GRADING IS REQUIRED ON LANDS ADJACENT TO THE DEVELOPMENT WHICH ARE NOT OWNED BY THE DEVELOPER, THEN THE DEVELOPER MUST OBTAIN WRITTEN PERMISSION FROM THE ADJACENT PROPERTY OWNER TO ALLOW THE DEVELOPER TO GRADE ON THE ADJACENT LANDS, OTHERWISE RETAINING WALLS MUST BE USED.
- THE WRITTEN PERMISSION REQUIRED FROM THE ADJACENT LANDOWNER SHALL BE OBTAINED PRIOR TO ENTERING THE LANDS. SHOULD PERMISSION NOT BE OBTAINED OR IS WITHDRAWN PRIOR TO COMMENCING THE WORK, THEN THE DEVELOPER SHALL LIMIT HIS ACTIVITIES TO THE LIMITS OF THE DEVELOPMENT SITE.
- DRIVEWAY AND DRIVEWAY APPROACHES SHALL BE LOCATED SUCH THAT HYDRO VAULTS AND OTHER STREET FURNITURE ARE A MIN. OF 1.2m FROM THE DRIVEWAY ENTRANCE CURB RADIUS.
- ANY CHANGES IN GRADES AND CATCH BASINS REQUIRE THE APPROVAL OF THE CITY'S MANAGER OF DEVELOPMENT ENGINEERING.

SILTATION AND EROSION CONTROL:

- SILTATION CONTROL BARRIERS SHALL BE PLACED AS DETAILED.
- ALL SILTATION CONTROL MEASURES SHALL BE CLEANED AND MAINTAINED AFTER EACH RAINFALL AS DIRECTED AND TO THE SATISFACTION OF THE CITY OF BURLINGTON AND/OR CONSERVATION HALTON.
- ADDITIONAL SILT CONTROL LOCATIONS MAY BE REQUIRED AS DETERMINED BY THE ENGINEER, THE CITY OF BURLINGTON AND/OR CONSERVATION HALTON.

SANITARY SEWERS:

- SANITARY SEWERS SHALL BE PVC. PVC PIPE IS TO BE BELL AND SPIGOT AND COMPLY TO ASTM D-3034 WITH MINIMUM SDR 35.
- MINIMUM BEDDING REQUIREMENTS FOR ALL SANITARY SEWER MAINS AND RELATED CONNECTIONS IN A SINGLE TRENCH SHALL BE CLASS B GRANULAR BEDDING AS PER OPSD 802.010 UNLESS OTHERWISE NOTED.
- SANITARY SEWER MANHOLES FRAME AND COVER AS PER OPSD 401.01.
- ALL PVC LATERALS TO BE SDR 28 AND SHALL BE ANY COLOUR EXCEPT WHITE. MINIMUM SLOPE OF LATERAL TO BE 2.0%.
- SINGLE SERVICE CONNECTIONS TO BE MINIMUM 125mm DIA PIPE.
- TAPPING AT EXISTING SANITARY SEWERS SHALL BE UNDERTAKEN IN ACCORDANCE WITH REGION OF HALTON REQUIREMENTS.
- ALL SEWERS TO BE VIDEO INSPECTED.
- ALL SEWERS TO BE FLUSHED PRIOR TO VIDEO INSPECTION.
- ALL PVC SEWERS ARE TO BE TESTED FOR DEFLECTION (MANDREL PASSAGE) AFTER INSTALLATION. SANITARY SEWERS SHALL ALSO BE TESTED FOR LEAKAGE (LOW AIR PRESSURE). PRIOR TO ASSUMPTION BY THE CITY, PIPE DEFLECTION TESTING SHALL BE REPEATED.

STORM SEWERS:

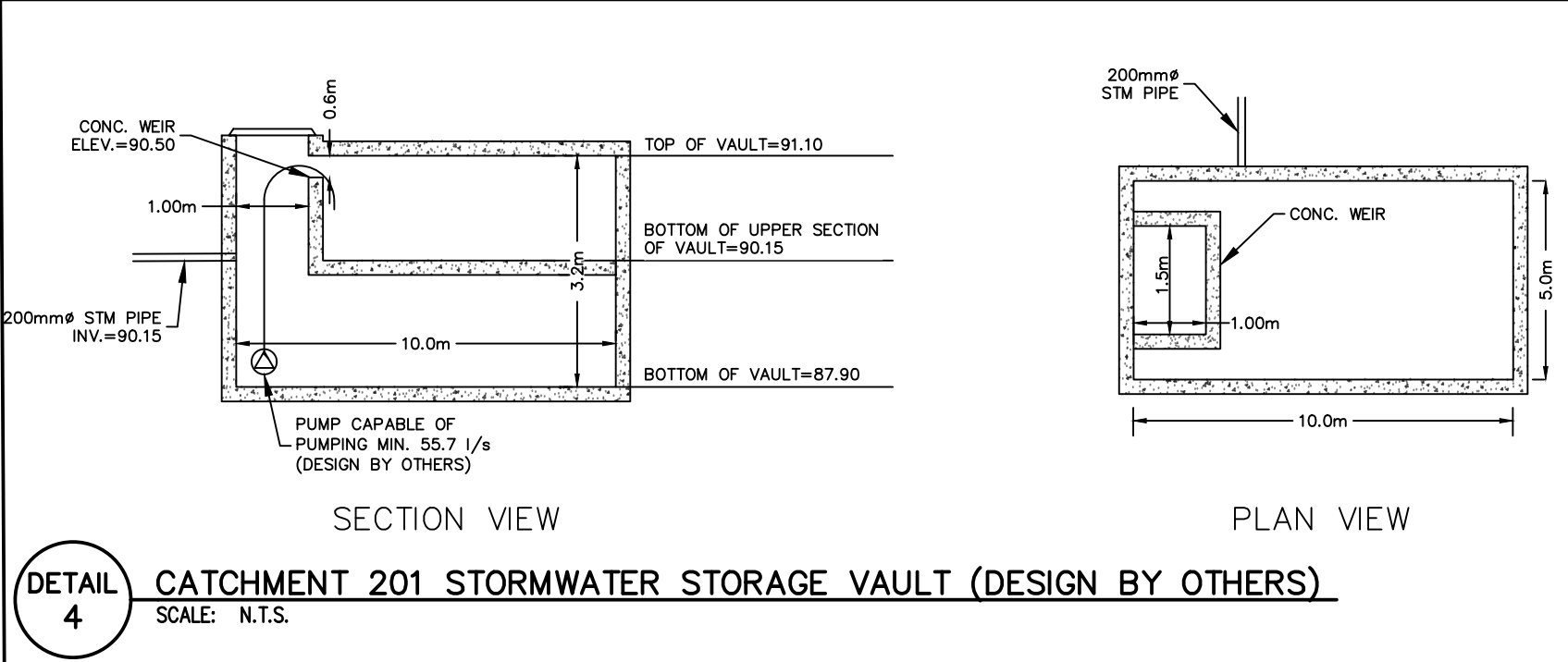
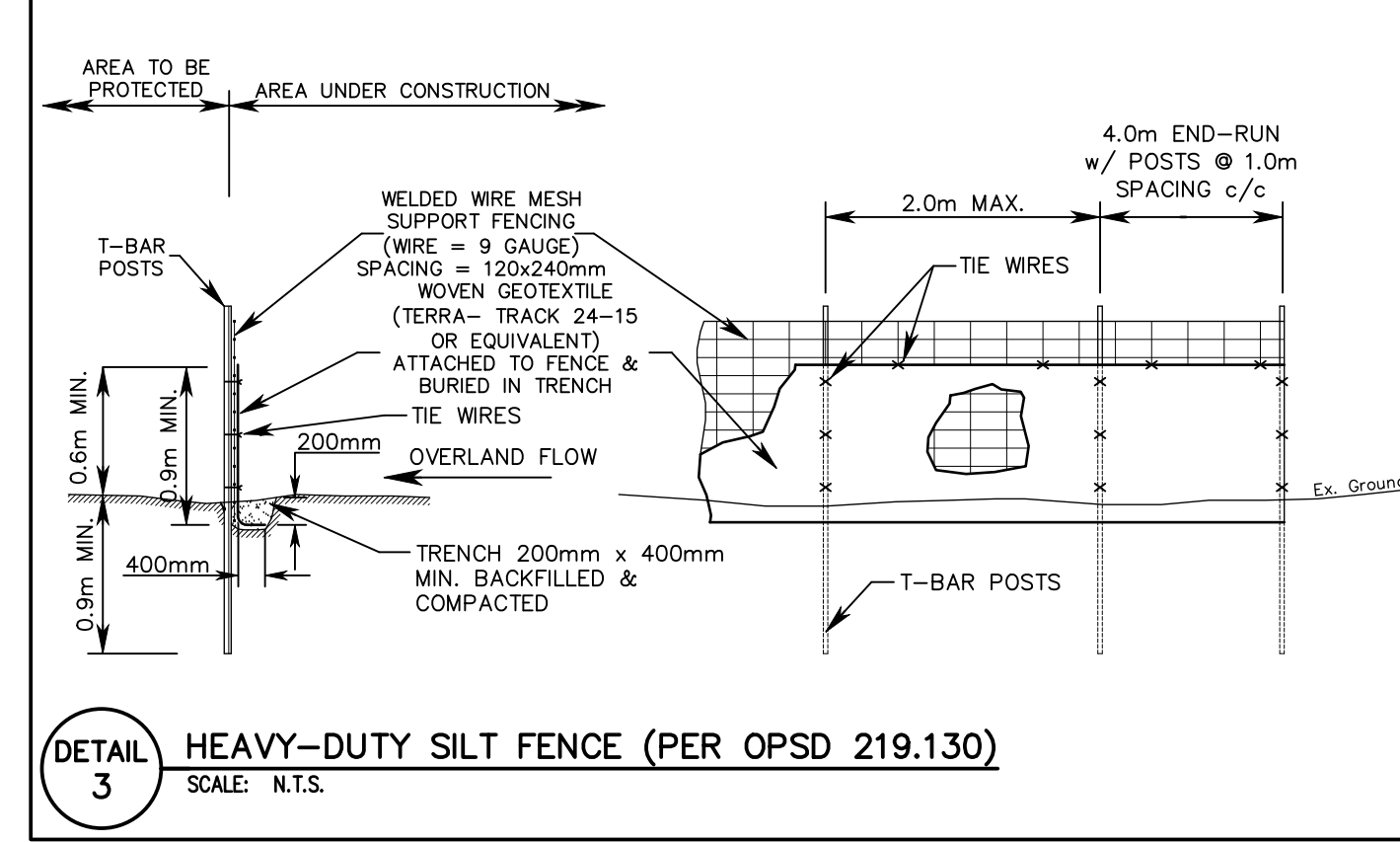
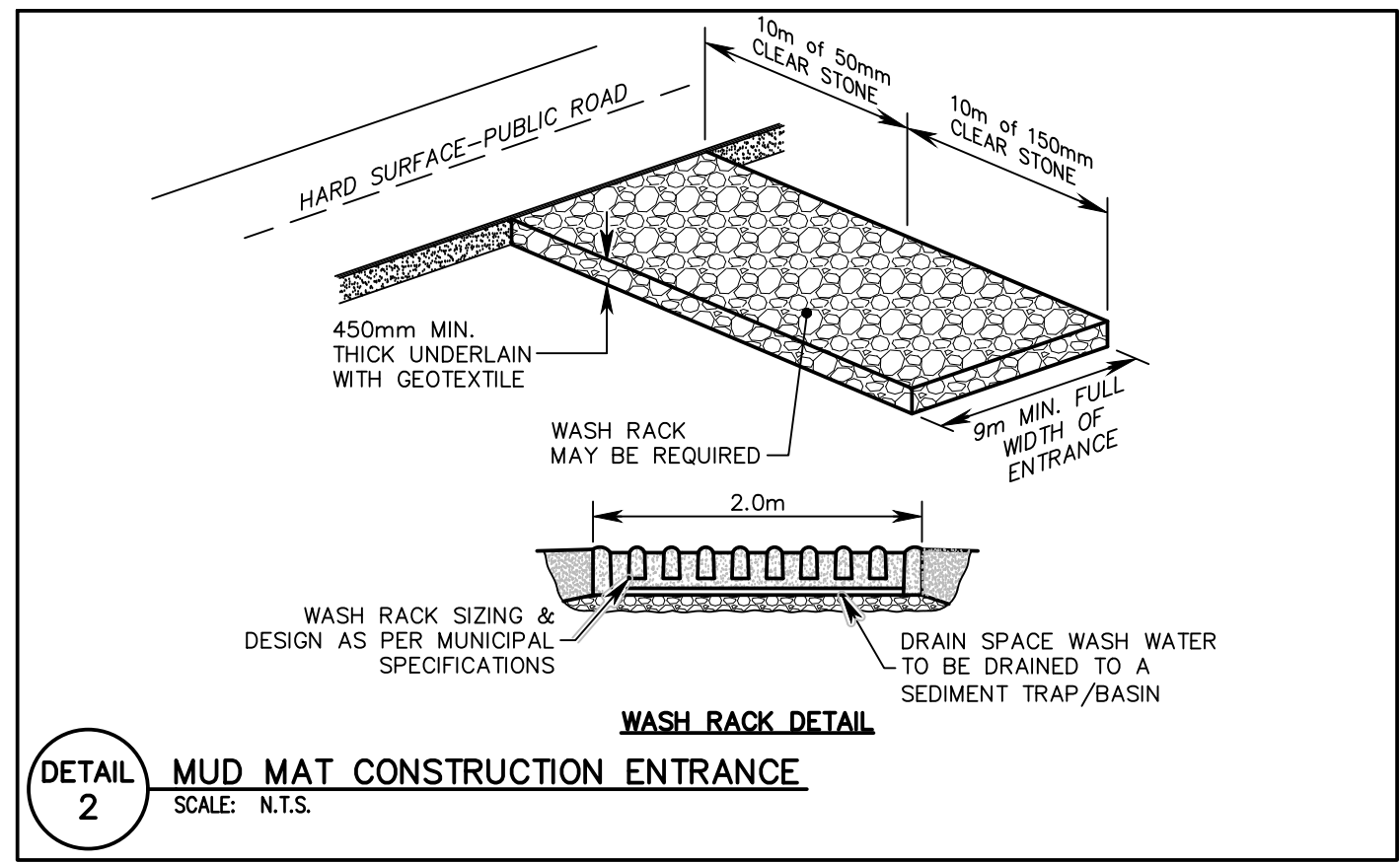
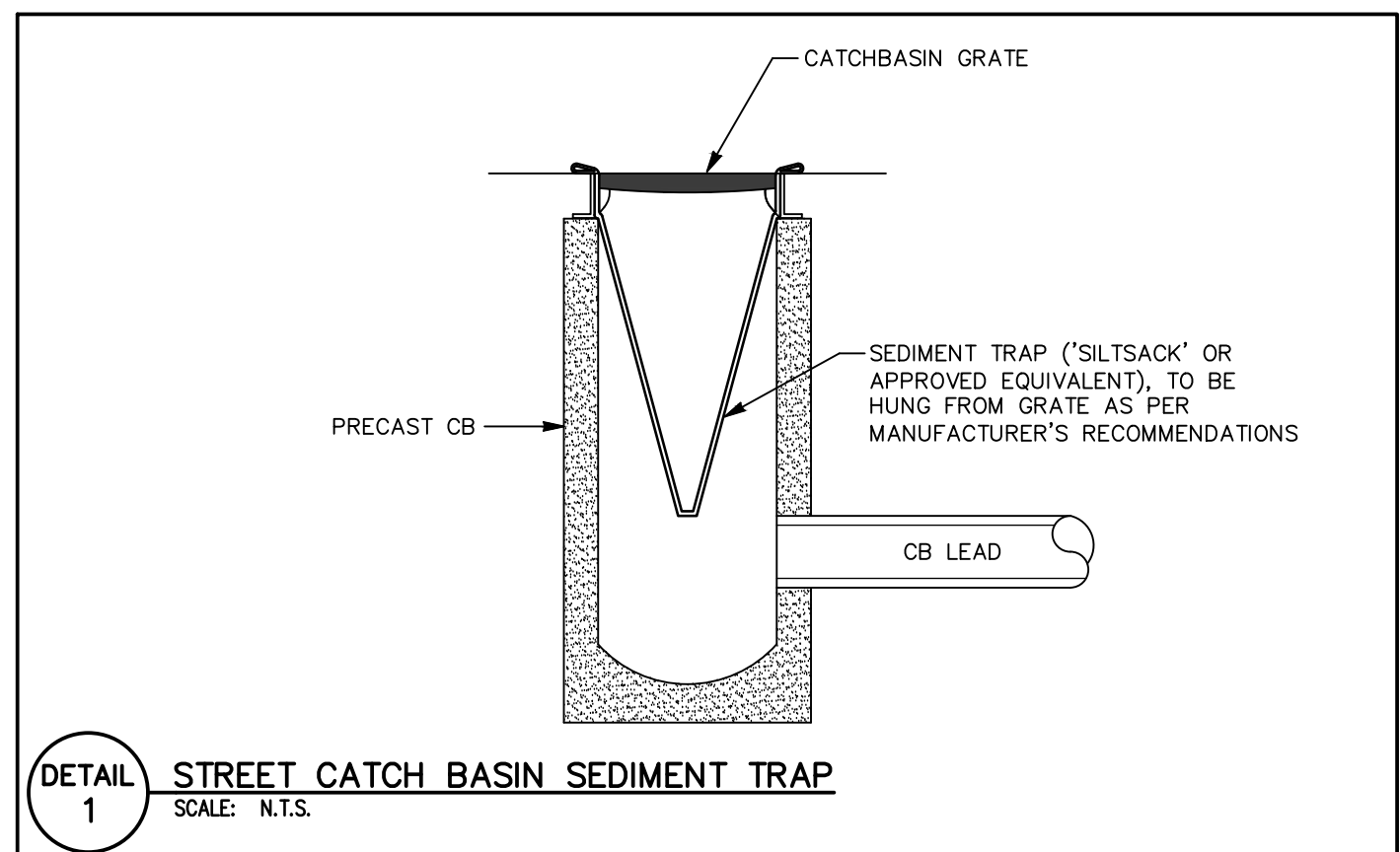
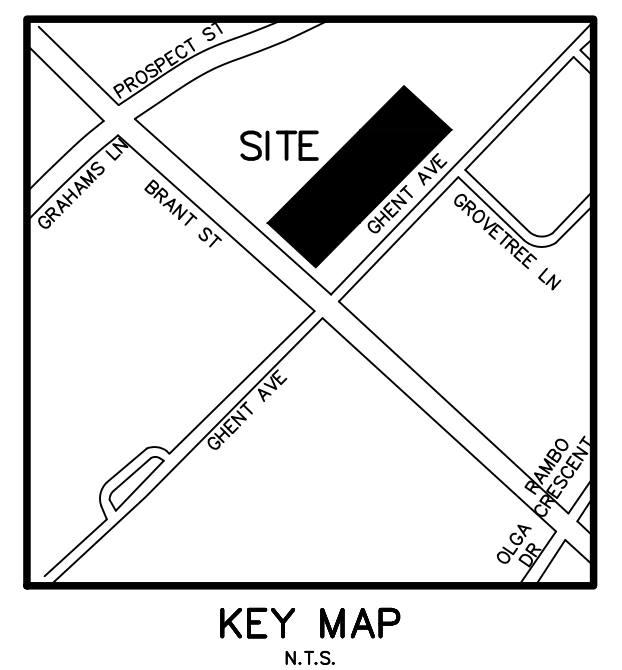
- 300mm-450mm STORM SEWERS SHALL BE PVC, BELL AND SPIGOT AND SHALL COMPLY TO ASTM D-3034 WITH MINIMUM SDR 35 OR ULTRARIP.
- MINIMUM BEDDING REQUIREMENTS FOR ALL SINGLE STORM SEWER MAINS AND ALL RELATED CONNECTIONS SHALL BE HIGH PERFORMANCE CLEAR STONE (HL-8 GRADE) AS PER CITY OF BURLINGTON STANDARD DRAWINGS S-188.
- STORM SEWER MANHOLES SHALL BE IN ACCORDANCE WITH OPSD 701.010, AND 703.010. FRAME AND COVER AS PER OPSD 401.01 TYPE A. FRAMES TO BE STAMPED "DANGER" AND "STORM".
- MANHOLE TOPS SHALL BE INITIALLY SET TO BASE COURSE ASPHALT ELEVATION AND ADJUSTED TO GRADE PRIOR TO PLACEMENT OF TOP LIFT OF ASPHALT.
- ALL TRENCH EXCAVATIONS ARE TO BE BACKFILLED WITH SELECT NATIVE MATERIAL PLACED IN MAXIMUM 200mm LIFT THICKNESSES WITHIN 3% OF THE OPTIMUM MOISTURE CONTENT AND COMPACTED TO A MINIMUM OF 95% SPD, UNLESS OTHERWISE SPECIFIED.
- ALL SEWERS TO BE VIDEO INSPECTED.
- ALL SEWERS TO BE FLUSHED PRIOR TO VIDEO INSPECTION.
- ALL PVC SEWERS (SANITARY AND STORM) ARE TO BE TESTED FOR DEFLECTION (MANDREL PASSAGE) AFTER INSTALLATION. PRIOR TO ASSUMPTION BY THE CITY, PIPE DEFLECTION TESTING SHALL BE REPEATED.

WATERMANS:

- FLEXIBLE WATERMAIN PIPE UP TO 300mm DIAMETER TO BE P.V.C. DR-18 AND CONFORM TO A.W.W.A. C-900 WITH MECHANICAL JOINTS AS PER A.W.W.A. C-110, AND TO BE INSTALLED WITH A TO GAGE TRACER WIRE.
- FLEXIBLE PIPE BEDDING TO BE OPSD 802.010 WITH COMPACTED GRANULAR B MATERIAL.
- MINIMUM COVER TO BE 1.7m TO TOP OF PIPE.
- DEFLECTION AT JOINTS NOT TO EXCEED 2.5 DEGREES AND SHALL BE EQUAL AT ALL JOINTS.
- GATE VALVES AND BOXES FOR 150mm DIAMETER WATERMANS AS PER A.W.W.A. STANDARD C-500 AND ARE TO OPEN TO THE LEFT (COUNTER CLOCKWISE).
- HYDRANTS SHALL MEET THE REQUIREMENTS OF A.W.W.A. STANDARD C-502 AND SHALL BE SET IN ACCORDANCE WITH REGION OF HALTON, AND CITY OF BURLINGTON BUILDING DEPARTMENT STANDARDS, COMPLETE WITH STEAMER CONNECTIONS. THE 100mm STEAMER PORT SHALL FACE THE FIRE ROUTE AND SHALL BE UNOBSTRUCTED BY ANY PROPOSED LANDSCAPING.
- ALL FITTINGS TO HAVE MECHANICAL RESTRAINTS THAT MEET UNI-B-13-92.
- ALL TEMPORARY AND PERMANENT WATERMAIN PLUGS ARE TO BE CONSTRUCTED IN ACCORDANCE WITH OPSD 1103.01.
- TAPPING AT EXISTING WATERMANS SHALL BE UNDERTAKEN IN ACCORDANCE WITH REGION OF HALTON REQUIREMENTS.
- ALL WATER CUSTOMERS SUPPLIED BY A WATERMAIN TO BE SHUT DOWN SHALL BE NOTIFIED BY THE CONTRACTOR AT LEAST 48 HOURS IN ADVANCE OF THE SHUT DOWN AS PER REGION OF HALTON SPECIFICATIONS. NOTIFICATION SHALL TAKE PLACE UNDER THE ENGINEER'S DIRECTION.
- MINIMUM HORIZONTAL SEPERATION BETWEEN WATERMANS (INCLUDING PRIVATE SERVICES) AND STORM AND SANITARY SEWERS SHALL BE 2.5m. WATERMANS MUST HAVE A MINIMUM VERTICAL CLEARANCE OF 150mm OVER AND 500mm UNDER SEWERS AND ALL OTHER UTILITIES WHEN CROSSING.

RESTORATIONS:

- ALL TRENCH EXCAVATIONS WITHIN EXISTING ROAD ALLOWANCES SHALL BE AS BACKFILLED AS PER CITY OF BURLINGTON STANDARD DRAWING S-114 AND S-114A.
- EXISTING PRIVATE FENCING IS TO BE MAINTAINED THROUGHOUT CONSTRUCTION. WHERE REMOVAL OR RELOCATION OF FENCING IS NECESSARY IT SHALL BE RESTORED OR REPLACED TO ORIGINAL CONDITIONS OR BETTER UNDER THE DIRECTION OF THE ENGINEER.
- DAMAGED CURB, GUTTER AND SIDEWALK TO BE REPLACED WITH 28 MPa CONCRETE TO EXISTING CONDITIONS OR BETTER.
- PAVEMENT SURFACE ON EXISTING BRANT STREET AND BALDWIN STREET TO BE REPAIRED BY CONTRACTOR AT THEIR EXPENSE IF DAMAGED BY CONSTRUCTION TRAFFIC.
- EXISTING CONCRETE CURB AND SIDEWALK TO BE SAW CUT, REMOVED AND REPLACED TO MATCH EXISTING.
- ALL DISTURBED BOULEVARD AREAS ARE TO BE RESTORED TO EXISTING CONDITIONS OR BETTER WITH MINIMUM 150mm TOPSOIL AND SOD.



NOTES TO CONTRACTOR:

- CONTRACTORS AND SUBCONTRACTORS SHALL NOT SCALE FROM THIS DRAWING.
- ANY INCONSISTENCIES AND OMISSIONS FOUND ON THE DRAWINGS MUST BE REPORTED TO THE ENGINEER FOR CLARIFICATION BEFORE COMMENCING THE WORK.
- PRIOR TO THE START OF CONSTRUCTION, THE CONTRACTOR MUST CHECK AND VERIFY ALL DIMENSIONS AND ELEVATIONS AND REPORT ALL FINDINGS TO THE ENGINEER. ONCE CONSTRUCTION HAS COMMENCED, THE CONTRACTOR ACCEPTS RESPONSIBILITY FOR ALL DIMENSIONS, ELEVATIONS, AND SITE CONDITIONS.
- THE POSITIONS OF POLE LINES, CONDUITS, WATERMANS, SEWERS AND OTHER UNDERGROUND AND OVERGROUND UTILITIES AND STRUCTURES ARE NOT NECESSARILY SHOWN ON THE DRAWINGS. WHERE SHOWN ON THE DRAWING, THE ACCURACY OF THE POSITION OF SUCH UTILITIES AND STRUCTURES IS NOT GUARANTEED. BEFORE STARTING WORK, THE CONTRACTOR SHALL INFORM THEMSELVES OF THE EXACT LOCATION OF ALL SUCH UTILITIES AND STRUCTURES AND ASSUME ALL LIABILITY FOR DAMAGE TO THEM.
- ALL DRAWINGS REMAIN THE PROPERTY OF THE ENGINEER AND SHALL NOT BE REPRODUCED, REVISED, OR REVISED WITHOUT THE WRITTEN CONSENT OF S. LLEWELLYN AND ASSOCIATES LIMITED.

REVISIONS				
NO.	DATE	BY		
DESIGN	AP	CHK'D	SF	DATE
DRAWN	AP	CHK'D	SF	August 14, 2020

APPROVALS		STAMP

S. LLEWELLYN & ASSOCIATES LIMITED
 CONSULTING ENGINEERS

Tel. (905) 631-6978
 Fax (905) 631-8927
 email: info@sllea.on.ca

3228 South Service Road, Suite #105 East Wing, Burlington, Ont., L7N 3H8

CLIENT

MOLINARO GROUP
 472 BROCK AVENUE, BURLINGTON

PROJECT NAME
 BRANT STREET & GHENT AVENUE
 769-783 BRANT STREET, 2023-2033 GHENT AVENUE, BURLINGTON

PRELIMINARY NOTES AND DETAILS PLAN (PHASE 2 OF 3)

PROJECT No. 20062 DRAWING No. C103

SCALE 1:200